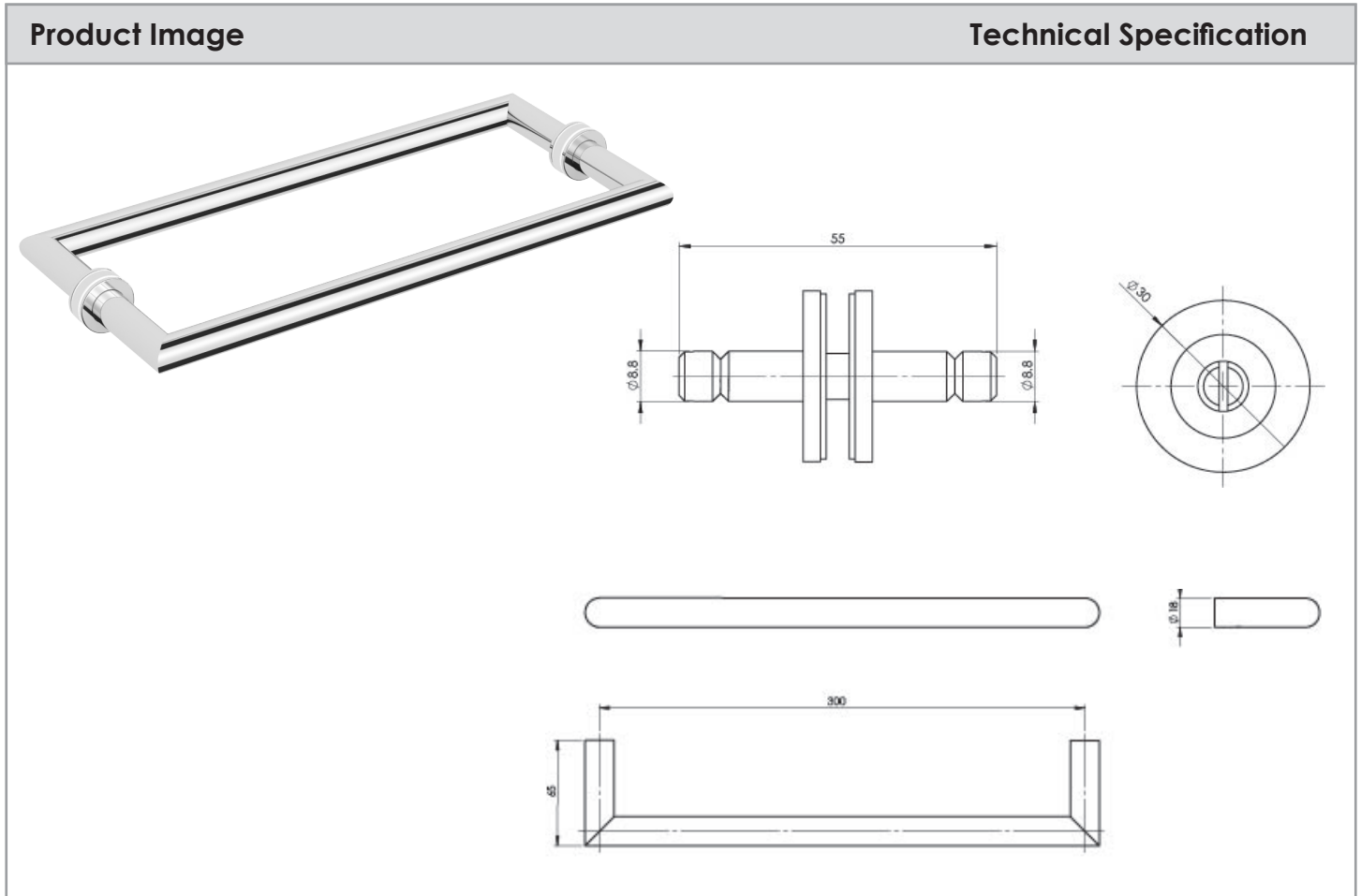




FOCAL 300 DOUBLE SIDED GLASS PANEL TOWEL RAIL



Description	
Focal 300 Double Sided Glass Panel Towel Rail	
AGD40300EB	
Includes	
2x AG70159-300 2x AG3000E	Towel Rail Component Double Sided Connector

Additional Information
<ul style="list-style-type: none"> • Chrome Plated • For mounting onto 6-10mm glass or acrylic panels • 10 mm Ø holes required.

