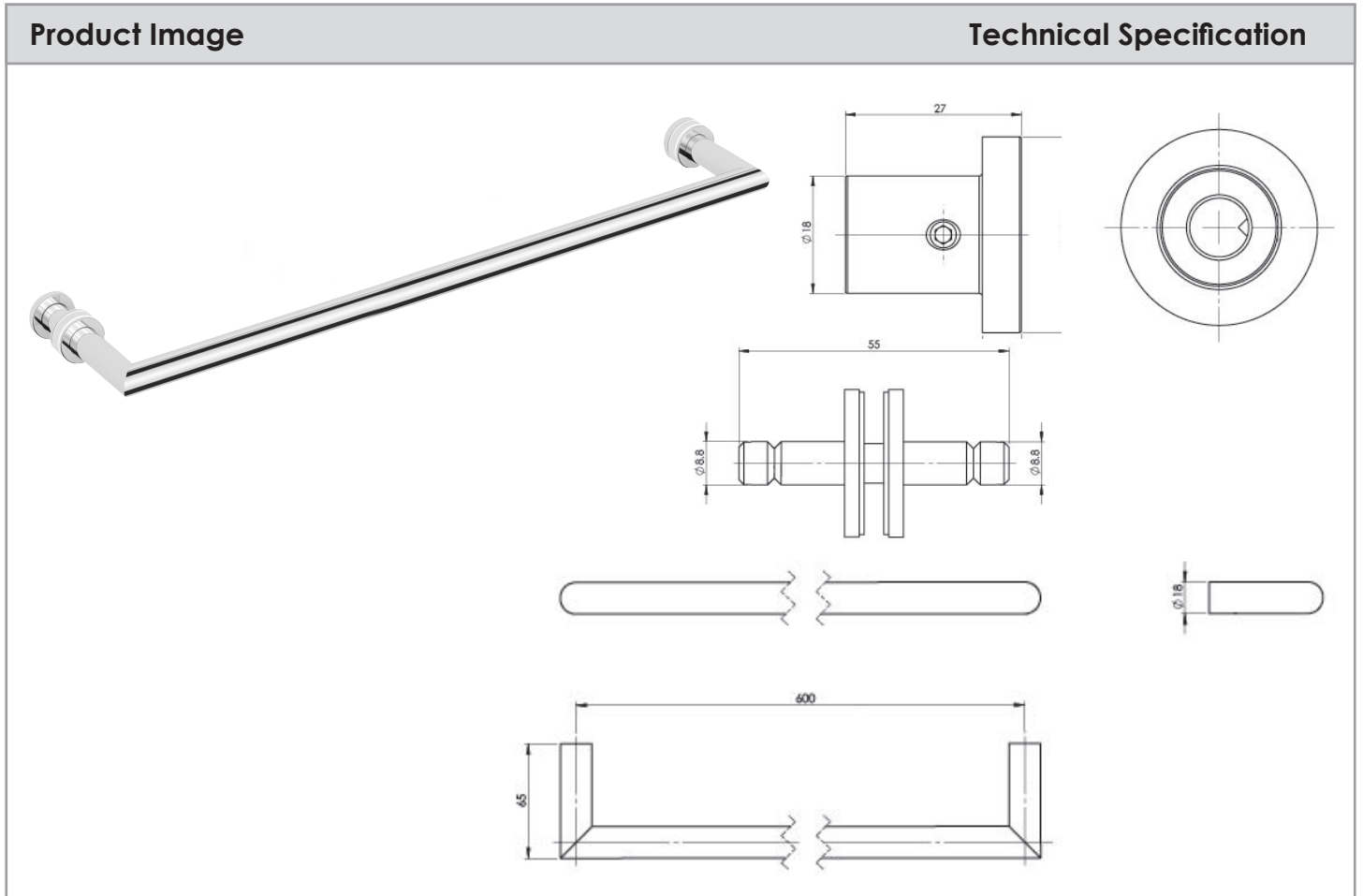




FOCAL 600 GLASS PANEL TOWEL RAIL + KNOB



Description	
Focal 600 Glass Panel Towel Rail + Knob	
AG30630HB	
Includes	
1x AG70159-600	Towel Rail Component
1x AG3000F	Cover Plate + Connector
1x AG3000H	Knob/Hook Component
1x AG3000E	Double sided Connector

Additional Information
<ul style="list-style-type: none"> • Chrome Plated • For mounting onto 6-10mm glass or acrylic panels • 10 mm Ø holes required.

