
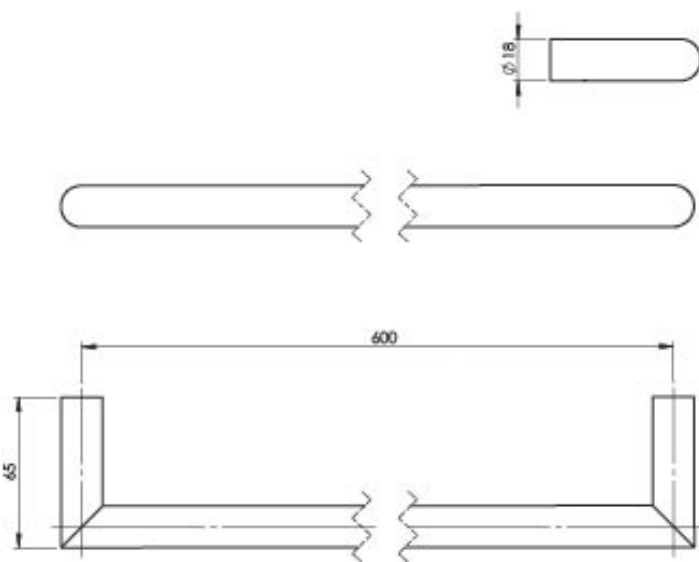




FOCAL 600 GLASS PANEL TOWEL RAIL COMPONENT

| Product Image | Technical Specification |
|---|---|
|  |  |

| Description | |
|--|-------------------------|
| Focal 600 Glass Panel Towel Rail Component | |
| AG70159-600 | |
| To be used with | |
| 2x AG3000F | Cover Plate + Connector |
| OR | |
| 2x AG3000E | Double Sided Connector |

| Additional Information |
|--|
| <ul style="list-style-type: none"> • Chrome Plated • For mounting onto 6-10mm glass or acrylic panels • 10 mm Ø holes required. |

