



Vista HygienicFlush Wall Faced Toilet

S&P Trap

Product Image



Product Details

Code:	H175AR01S4B
Brand:	Argent
Range:	Vista
Warranty:	10 Years*
Product Width:	N/A
Product Depth:	N/A
WELS:	4 Star 3.5 LPM, Reg #: L06513

Additional Features

Technical Specification

Required Product

Recommended Products

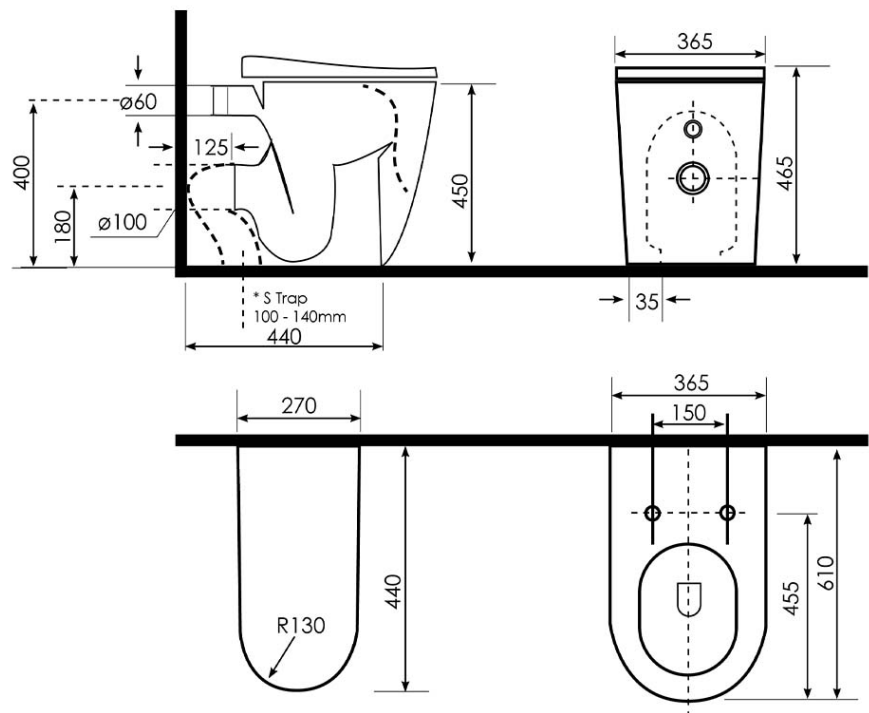
IN38905, IN36305

Additional Notes

- Ambulant Compliant
- HygienicFlush
- S&P Trap

Installation Instructions

* Can be used in ambulant-assisted living installations with the increased seat height and length



*Please visit argentaust.com.au/warranty to view the full warranty

Note: All dimensions are in millimetres and are subject to normal manufacturing variations. Always use the physical product measurements for cut-outs and rough-ins as the technical details shown may differ from the actual product. Use acetic cured silicone sealant. Do not use epoxy type adhesives. Clean with damp cloth. Do not use abrasive cleaners, liquids or pastes.

