



# Alto Plus 800 Hygienic Flush Wall Faced Toilet & Backrest

S&P Trap

**Product Image**



**Product Details**

**SKU:**

Brand:  
Range:  
Warranty:  
WELS:  
Reg #:L06378 (V)

**H175R01S4BPB**

Argent  
Alto Plus  
10 Years  
4 Star 4.5/3.0L 3.5L avg flush,

**Additional Features**

**Required Product**  
INP38105,INP38735

**Recommended Products**

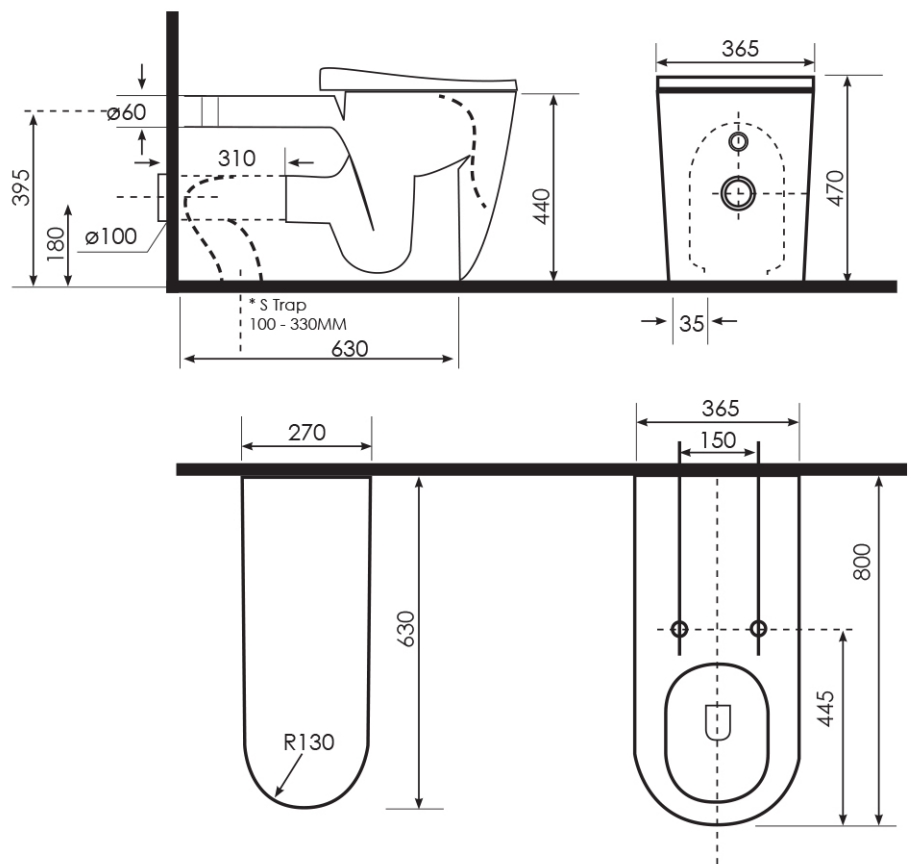
**Additional Notes**

- \* 1428 Compliant
- \* HygienicFlush
- \* S&P Trap
- \* Backrest

**Installation Instructions**

\* Compliant with appropriate requirements of AS1428.1 for disabled and assisted living

**Technical Specification**



Note: All dimensions are in millimetres and are subject to normal manufacturing variations. Always use the physical product measurements for cut-outs and rough-ins as the technical details shown may differ from the actual product. Use acetic cured silicone sealant. Do not use epoxy type adhesives. Clean with damp cloth. Do not use abrasive cleaners, liquids or pastes.

