



Touchless PNEU Flush Plate

Black Glass

Product Image



Product Details

Code: INP5501E-Q
Brand: Argent
Range: Focus
Warranty: 3 Years*
WELS: N/A

Additional Features

Technical Specification

Required Product

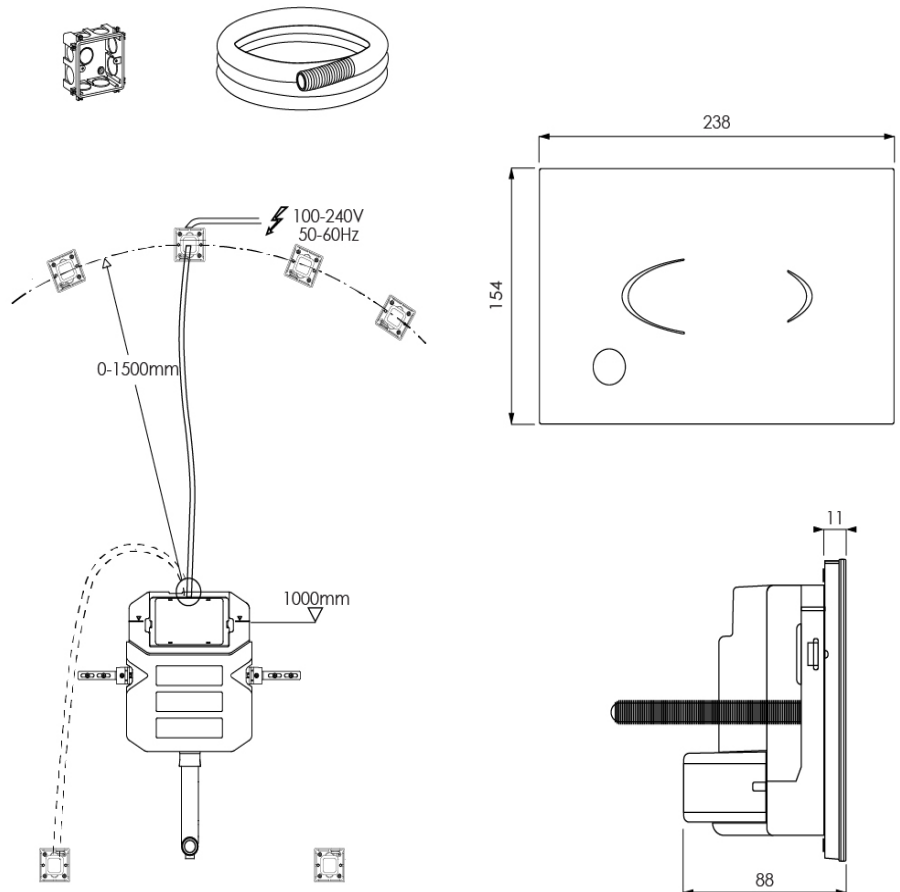
Recommended Products
 INP38105, INP48905, INP36105, INP46305

Additional Notes

- Touchless Operation
- Manual override

Installation Instructions

- * Requires 240v hard wired junction for 6volt transformer within 1500mm from top of cistern
- * use with Argent Pneumatic Cistern



*Please visit argentaust.com.au/warranty to view the full warranty

Note: All dimensions are in millimetres and are subject to normal manufacturing variations. Always use the physical product measurements for cut-outs and rough-ins as the technical details shown may differ from the actual product. Use acetic cured silicone sealant. Do not use epoxy type adhesives. Clean with damp cloth. Do not use abrasive cleaners, liquids or pastes.

