

Grace 760 Double Sink

White

Product Image



Product Details

Code:	KS5076230WH
Brand:	Argent
Range:	Grace
Warranty:	15 Years*
Product Width:	760 mm
Product Height:	460 mm
Product Depth:	220 mm
Litre Capacity:	58 L

Additional Features

Technical Specification

Required Product

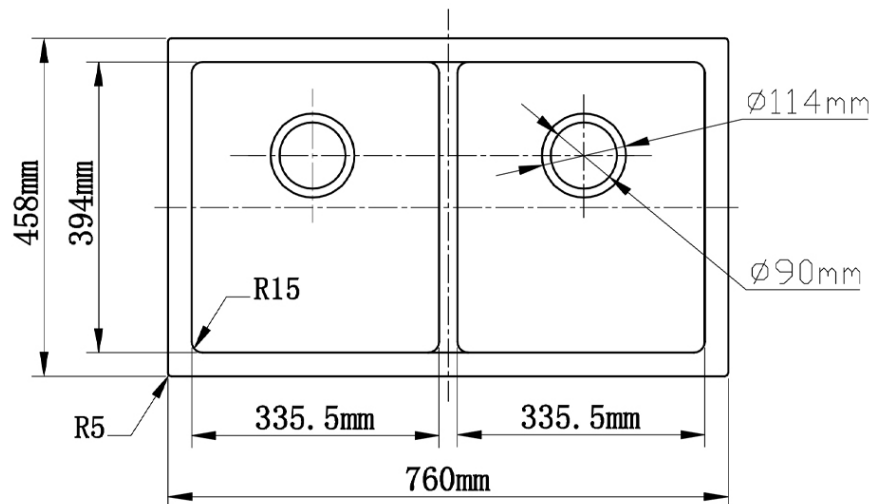
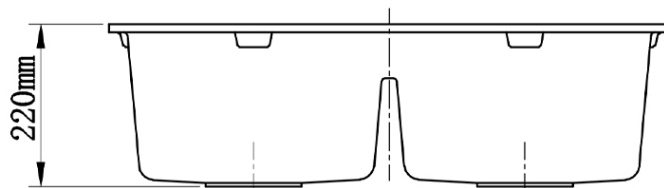
Recommended Products

Additional Notes

- Durable
- Stain & bacteria resistant
- 11-114-61 waste included

Installation Instructions

- * Top Mount & Undermount
- * Flexible sealant only



*Please visit argentaust.com.au/warranty to view the full warranty

Note: All dimensions are in millimetres and are subject to normal manufacturing variations. It is recommended to use the physical product measurements for cut-outs and rough-ins as the technical details shown may differ from the actual product. Use acetic cured silicone sealant. Do not use epoxy type adhesives. Clean with damp cloth. Do not use abrasive cleaners, liquids or pastes.