



# Alto 1080 1 & 3/4 Sink

LH Drainer | 1TH

**Product Image**



**Product Details**

<b>Code:</b>	<b>KS910824L</b>
Brand:	Argent
Range:	Alto
Warranty:	Lifetime*
Product Width:	480 mm
Product Height:	1080 mm
Product Depth:	150 mm
Litre Capacity:	31 L

**Additional Features**

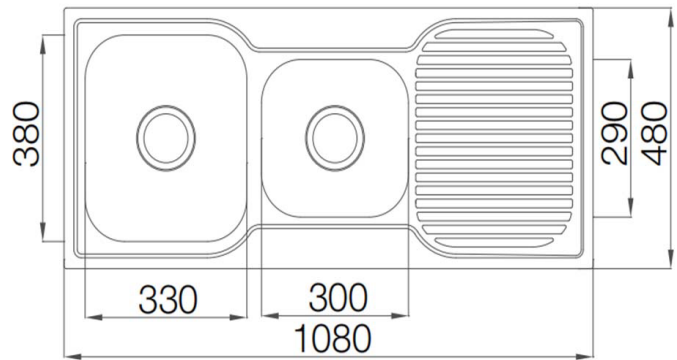
**Technical Specification**

**Required Product**

**Recommended Products**

**Additional Notes**

- Rolled Edge
- Topmount
- AS1428 compliant when installed with correct tapware
- Insulation pad preinstalled on bottom of the sink



\*Please visit [argentaust.com.au/warranty](http://argentaust.com.au/warranty) to view the full warranty

*Note: All dimensions are in millimetres and are subject to normal manufacturing variations. Always use the physical product measurements for cut-outs and rough-ins as the technical details shown may differ from the actual product. Use acetic cured silicone sealant. Do not use epoxy type adhesives. Clean with damp cloth. Do not use abrasive cleaners, liquids or pastes.*

