



# Grace Free Form Vessel

Matte Black

## Product Image



Shown in White

## Product Details

<b>Code:</b>	<b>NO30MUL0022MB</b>
Brand:	Argent
Range:	Grace
Warranty:	10 Years*
Product Width:	410 mm
Product Depth:	165 mm
WELS:	N/A

## Additional Features

### Required Product

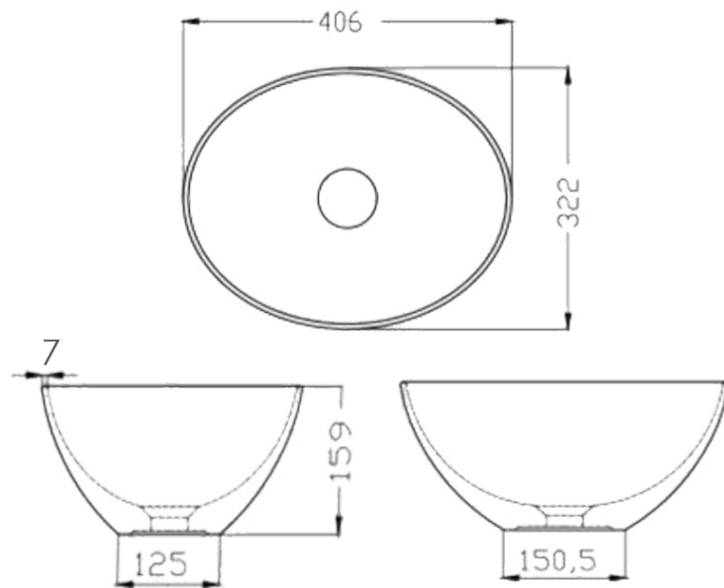
### Recommended Products

Series K316-D PUW 32mm 2 Piece

### Additional Notes

- Thin Edge Lip Profile

## Technical Specification



\*Please visit [argentaust.com.au/warranty](http://argentaust.com.au/warranty) to view the full warranty

Note: All dimensions are in millimetres and are subject to normal manufacturing variations. Always use the physical product measurements for cut-outs and rough-ins as the technical details shown may differ from the actual product. Use acetic cured silicone sealant. Do not use epoxy type adhesives. Clean with damp cloth. Do not use abrasive cleaners, liquids or pastes.

