



# O.novo 2.0 Direct Flush Wall Faced Toilet

S & P Trap | CeramicPlus

## Product Image



## Product Details

<b>Code:</b>	<b>4624R1R1S4DB</b>
Brand:	Villeroy & Boch
Range:	O.novo 2.0
Warranty:	10 Years*
Product Width:	N/A
Product Depth:	N/A
WELS:	4 Star 3.5 LPM, Reg #: L06371

## Additional Features

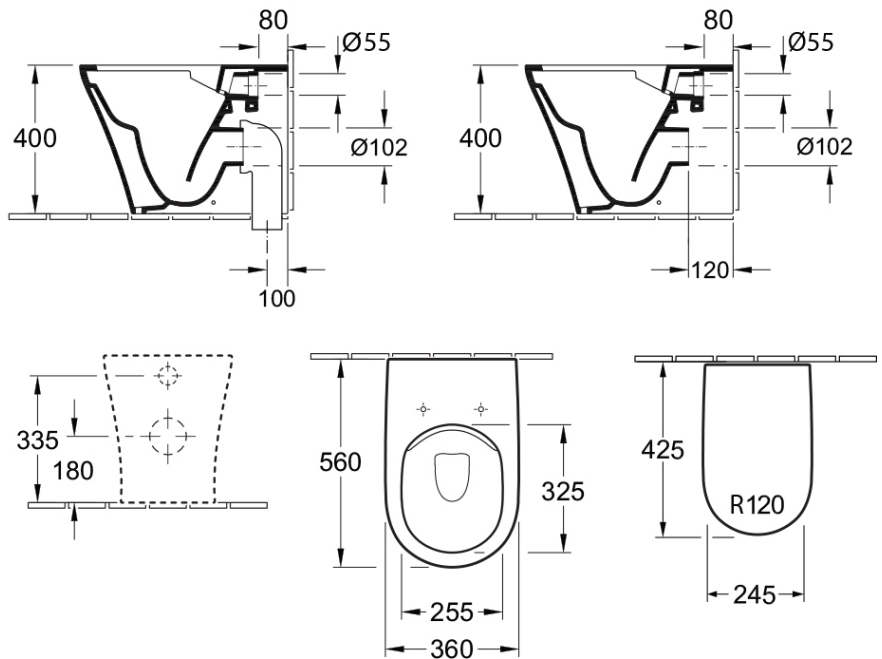
**Required Product**  
Matching Inwall Cistern

**Recommended Products**  
92233300 ViConnect Cistern

**Additional Notes**

- DirectFlush Technology

## Technical Specification



\*Please visit [argentaust.com.au/warranty](http://argentaust.com.au/warranty) to view the full warranty

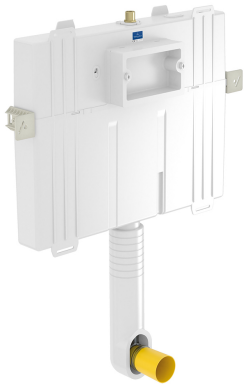
Note: All dimensions are in millimetres and are subject to normal manufacturing variations. Always use the physical product measurements for cut-outs and rough-ins as the technical details shown may differ from the actual product. Use acetic cured silicone sealant. Do not use epoxy type adhesives. Clean with damp cloth. Do not use abrasive cleaners, liquids or pastes.





# ViConnect 80 Cistern

## Product Image



## Product Details

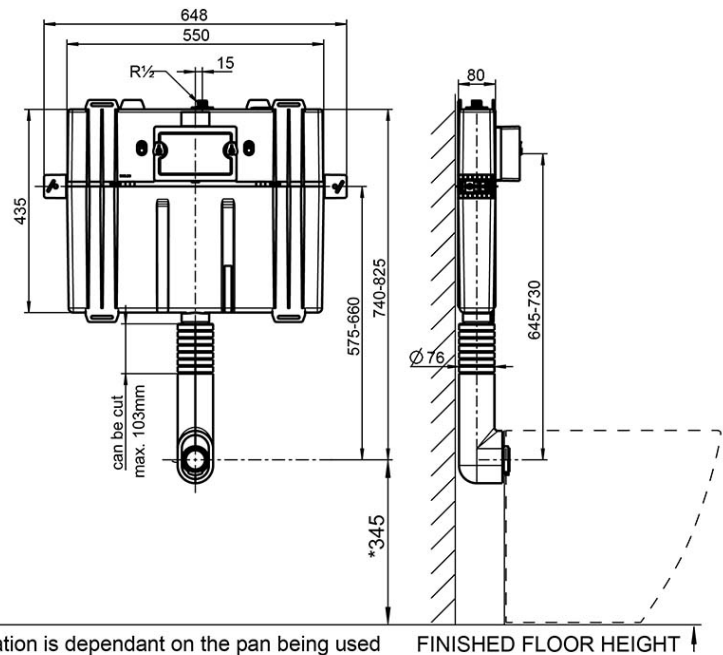
**Code:** 92233300  
**Brand:** Villeroy & Boch  
**Range:** ViConnect Cisterns  
**Warranty:** 15 Years\*  
**WELS:** 4 Star 3.3 LPM, Reg #: L07676

## Additional Features

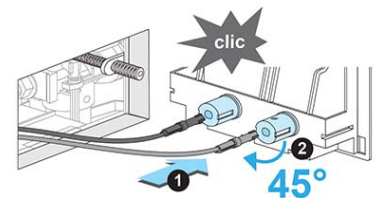
**Required Product**  
 Compatible Flush Plate, Matching Wall Faced Pan  
  
**Recommended Products**  
 E100, 150S, E200, E300 Flush Plate

**Additional Notes**  
 • Qwik Clic Cable Technology  
  
**Installation Instructions**  
 \* Fits into 90mm wall stud cavity.

## Technical Specification



\*This specification is dependant on the pan being used



\*Please visit [argentaust.com.au/warranty](http://argentaust.com.au/warranty) to view the full warranty

*Note: All dimensions are in millimetres and are subject to normal manufacturing variations. It is recommended to use the physical product measurements for cut-outs and rough-ins as the technical details shown may differ from the actual product. Use acetic cured silicone sealant. Do not use epoxy type adhesives. Clean with damp cloth. Do not use abrasive cleaners, liquids or pastes.*

