



# Subway 3.0 TwistFlush Wall Hung Toilet

P Trap | TwistFlush | Slim Soft Close Seat

## Product Image



## Product Details

<b>Code:</b>	<b>4670T001L4B</b>
Brand:	Villeroy & Boch
Range:	Subway 3.0
Warranty:	10 Years*
Product Width:	N/A
Product Depth:	N/A
WELS:	4 Star 4.5 LPM, Reg #: L07177

## Additional Features

**Required Product**  
Matching In Wall Cistern with Frame

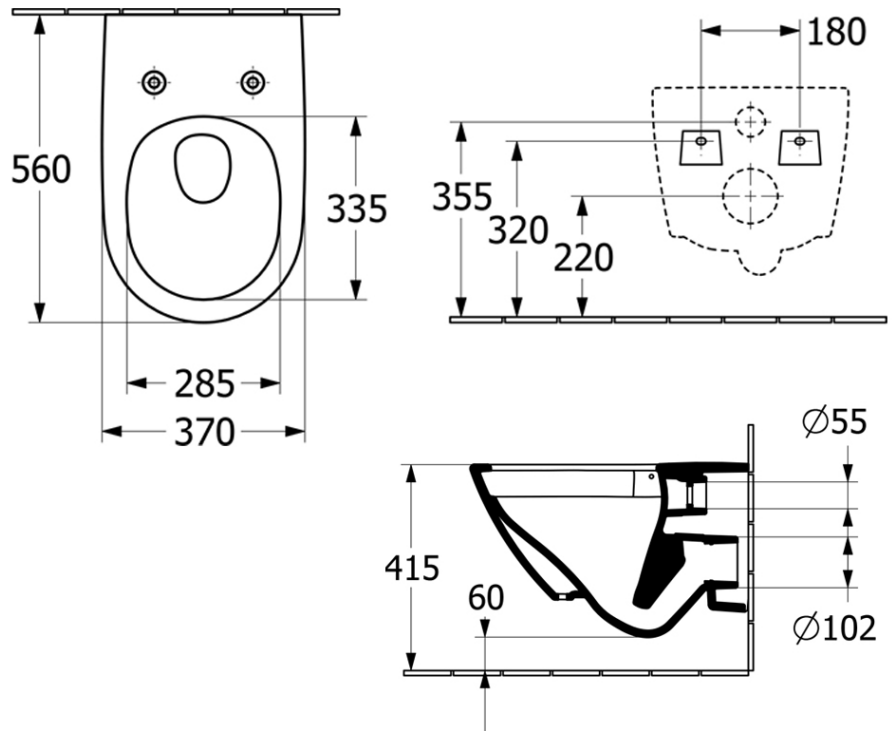
**Recommended Products**  
ViConnect 92233500 or 92233600  
Cistern with Frame with E100 E200 Or  
E300 ViConnect Flush Plate

**Additional Notes**

- TwistFlush
- CeramicPlus
- Fully Smooth Sided
- Slim Soft Close Seat

**Installation Instructions**  
\* Featuring Villeroy & Boch SupraFix Technology

## Technical Specification



\*Please visit [argentaust.com.au/warranty](http://argentaust.com.au/warranty) to view the full warranty

Note: All dimensions are in millimetres and are subject to normal manufacturing variations. Always use the physical product measurements for cut-outs and rough-ins as the technical details shown may differ from the actual product. Use acetic cured silicone sealant. Do not use epoxy type adhesives. Clean with damp cloth. Do not use abrasive cleaners, liquids or pastes.





# Argent 80 In Wall Cistern & Frame - Mechanical

## Product Image



## Product Details

<b>Code:</b>	<b>IN48905</b>
Brand:	Argent
Range:	In Wall
Warranty:	15 Years*
WELS:	4 Star 3.5 LPM, Reg #: L05257

## Additional Features

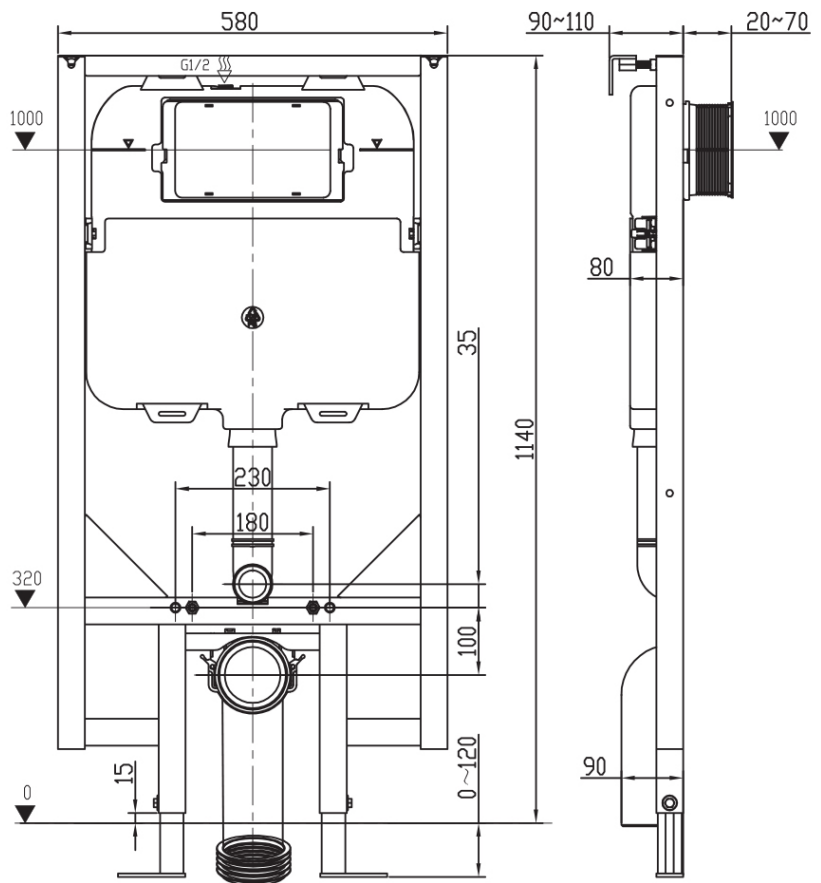
**Required Product**  
Suitable matching pan

**Recommended Products**  
Argent Wall Hung Pan

### Additional Notes

- Suits Kubic and Round and Edge Flush Plates
- Kubic and Round Flush Plates available in many popular colours

## Technical Specification



\*Please visit [argentaust.com.au/warranty](http://argentaust.com.au/warranty) to view the full warranty

Note: All dimensions are in millimetres and are subject to normal manufacturing variations. It is recommended to use the physical product measurements for cut-outs and rough-ins as the technical details shown may differ from the actual product. Use acetic cured silicone sealant. Do not use epoxy type adhesives. Clean with damp cloth. Do not use abrasive cleaners, liquids or pastes.

