



# Subway 3.0 TwistFlush Wall Faced Toilet

S & P Trap | TwistFlush | Soft Close Seat

## Product Image



## Product Details

**Code:** 4671T101S4B  
**Brand:** Villeroy & Boch  
**Range:** Subway 3.0  
**Warranty:** 10 Years\*  
**Product Width:** 370 mm  
**Product Depth:** 595 mm  
**WELS:** 4 Star 3.5 LPM, Reg #: L07242

## Additional Features

## Technical Specification

### Required Product

Matching In Wall Cistern

### Recommended Products

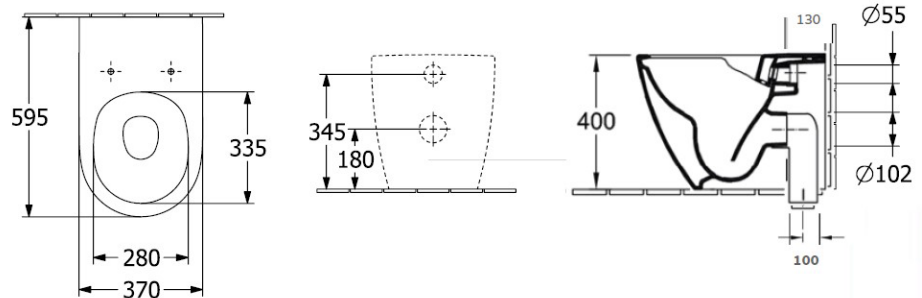
ViConnect 92233300 or 92233400  
 Cistern with E100 E200 or E300  
 Flushplate

### Additional Notes

- TwistFlush
- Fully Smooth Sided
- Soft Close Seat

### Installation Instructions

- \* S trap set out 100-110mm
- \* P Trap set Out 180mm
- \* S Trap Set out 160-175mm with VT103 Vario order separately



\*Please visit [argentaust.com.au/warranty](http://argentaust.com.au/warranty) to view the full warranty

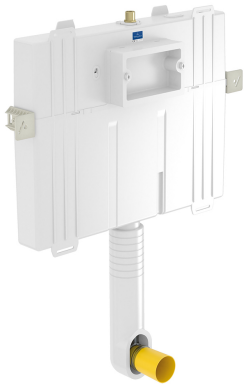
*Note: All dimensions are in millimetres and are subject to normal manufacturing variations. It is recommended to use the physical product measurements for cut-outs and rough-ins as the technical details shown may differ from the actual product. Use acetic cured silicone sealant. Do not use epoxy type adhesives. Clean with damp cloth. Do not use abrasive cleaners, liquids or pastes.*





# ViConnect 80 Cistern

**Product Image** **Product Details**



**Code:** 92233300  
**Brand:** Villeroy & Boch  
**Range:** ViConnect Cisterns  
**Warranty:** 15 Years\*  
**WELS:** 4 Star 3.3 LPM, Reg #: L07676

**Additional Features** **Technical Specification**

**Required Product**  
 Compatible Flush Plate, Matching Wall Faced Pan

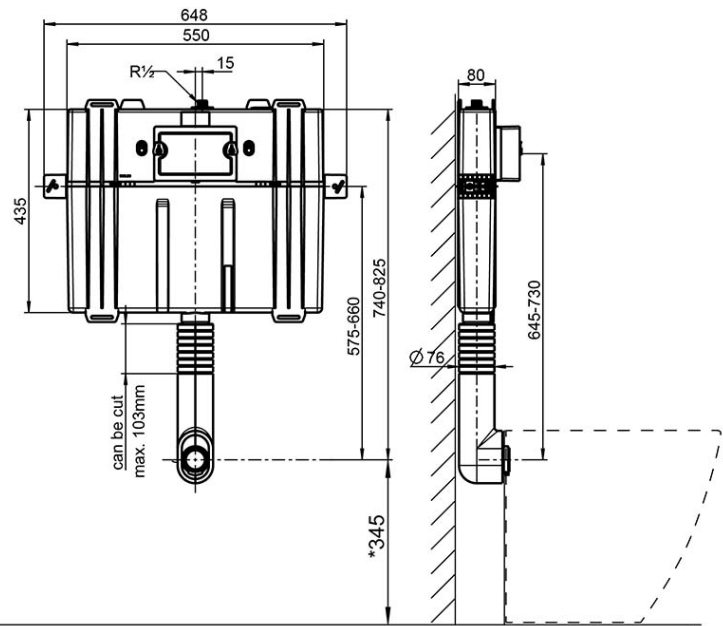
**Recommended Products**  
 E100, 150S, E200, E300 Flush Plate

**Additional Notes**

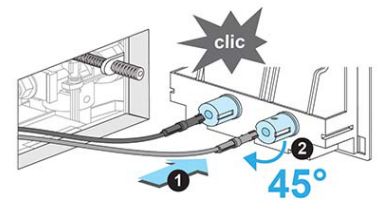
- Qwik Clic Cable Technology

**Installation Instructions**

\* Fits into 90mm wall stud cavity.



\*This specification is dependant on the pan being used FINISHED FLOOR HEIGHT ↑



\*Please visit [argentaust.com.au/warranty](http://argentaust.com.au/warranty) to view the full warranty

*Note: All dimensions are in millimetres and are subject to normal manufacturing variations. It is recommended to use the physical product measurements for cut-outs and rough-ins as the technical details shown may differ from the actual product. Use acetic cured silicone sealant. Do not use epoxy type adhesives. Clean with damp cloth. Do not use abrasive cleaners, liquids or pastes.*

