



Subway 3.0 TwistFlush Wall Faced Toilet

S & P Trap | TwistFlush | Slim Seat

Product Image



Product Details

Code: 4671T101L4B
Brand: Villeroy & Boch
Range: Subway 3.0
Warranty: 10 Years*
Product Width: 370 mm
Product Depth: 595 mm
WELS: 4 Star 3.5 LPM, Reg #: L07242

Additional Features

Required Product
 Matching In Wall Cistern

Recommended Products
 ViConnect 92233300 or 92233400
 Cistern with E100 E200 or E300
 Flushplate

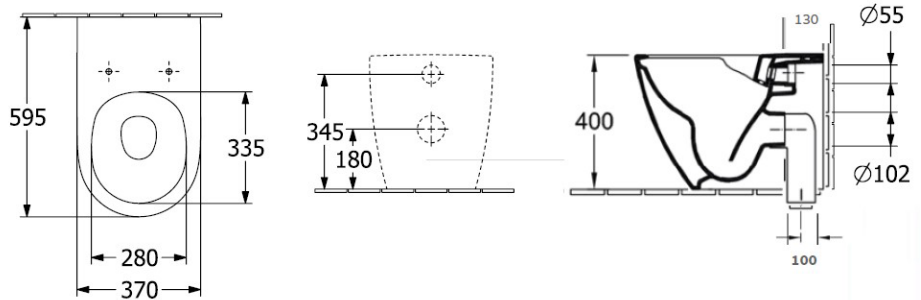
Additional Notes

- TwistFlush
- Fully Smooth Sided
- Slim Seat

Installation Instructions

- * S trap set out 100-110mm
- * P Trap set Out 180mm
- * S Trap Set out 160-175mm with VT103 Vario order seperately

Technical Specification



*Please visit argentaust.com.au/warranty to view the full warranty

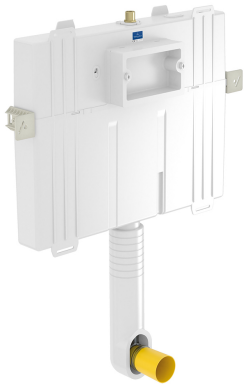
Note: All dimensions are in millimetres and are subject to normal manufacturing variations. It is recommended to use the physical product measurements for cut-outs and rough-ins as the technical details shown may differ from the actual product. Use acetic cured silicone sealant. Do not use epoxy type adhesives. Clean with damp cloth. Do not use abrasive cleaners, liquids or pastes.





ViConnect 80 Cistern

Product Image **Product Details**



Code: 92233300
Brand: Villeroy & Boch
Range: ViConnect Cisterns
Warranty: 15 Years*
WELS: 4 Star 3.3 LPM, Reg #: L07676

Additional Features **Technical Specification**

Required Product
 Compatible Flush Plate, Matching Wall Faced Pan

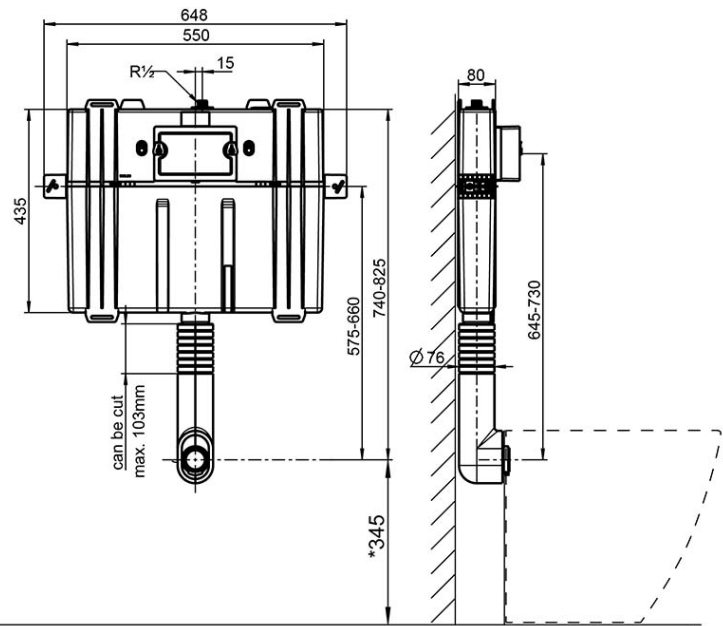
Recommended Products
 E100, 150S, E200, E300 Flush Plate

Additional Notes

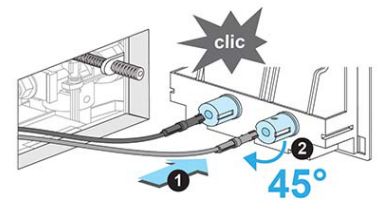
- Qwik Clic Cable Technology

Installation Instructions

* Fits into 90mm wall stud cavity.



*This specification is dependant on the pan being used FINISHED FLOOR HEIGHT ↑



*Please visit argentaust.com.au/warranty to view the full warranty

Note: All dimensions are in millimetres and are subject to normal manufacturing variations. It is recommended to use the physical product measurements for cut-outs and rough-ins as the technical details shown may differ from the actual product. Use acetic cured silicone sealant. Do not use epoxy type adhesives. Clean with damp cloth. Do not use abrasive cleaners, liquids or pastes.

