



Antao Wall Hung Toilet

P Trap | TwistFlush | Pure Black | CeramicPlus | Soft Close Seat

Product Image **Product Details**



Code: 4674T0R7S4B
Brand: Villeroy & Boch
Range: Antao
Warranty: 10 Years*
Product Width: 373 mm
Product Depth: 445 mm
WELS: 4 Star 3.5 LPM, Reg #: L07722

Additional Features **Technical Specification**

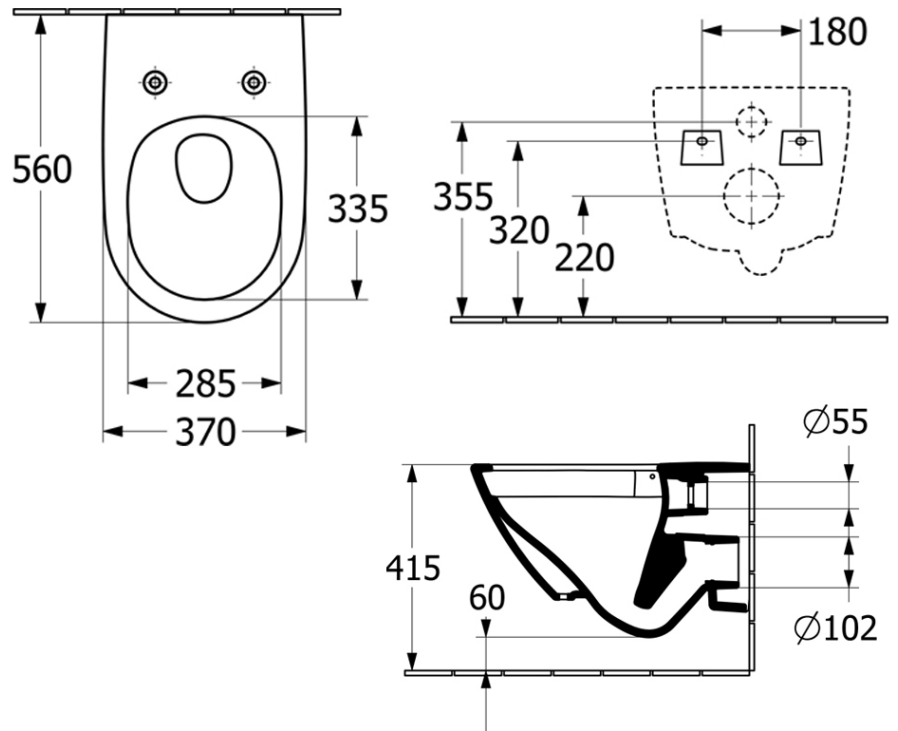
Required Product
 Matching In Wall Cistern with Frame

Recommended Products
 ViConnect 92233500 or 92233600
 Cistern with Frame with E100 E200 Or
 E300 ViConnect Flush Plate

Additional Notes

- TwistFlush
- Fully Smooth Sided
- Soft Close Seat

Installation Instructions
 * Featuring Villeroy & Boch SupraFix Technology



*Please visit argentaust.com.au/warranty to view the full warranty

Note: All dimensions are in millimetres and are subject to normal manufacturing variations. Always use the physical product measurements for cut-outs and rough-ins as the technical details shown may differ from the actual product. Use acetic cured silicone sealant. Do not use epoxy type adhesives. Clean with damp cloth. Do not use abrasive cleaners, liquids or pastes.





Argent 80 In Wall Cistern & Frame - Mechanical

Product Image



Product Details

Code:	IN48905
Brand:	Argent
Range:	In Wall
Warranty:	15 Years*
WELS:	4 Star 3.5 LPM, Reg #: L05257

Additional Features

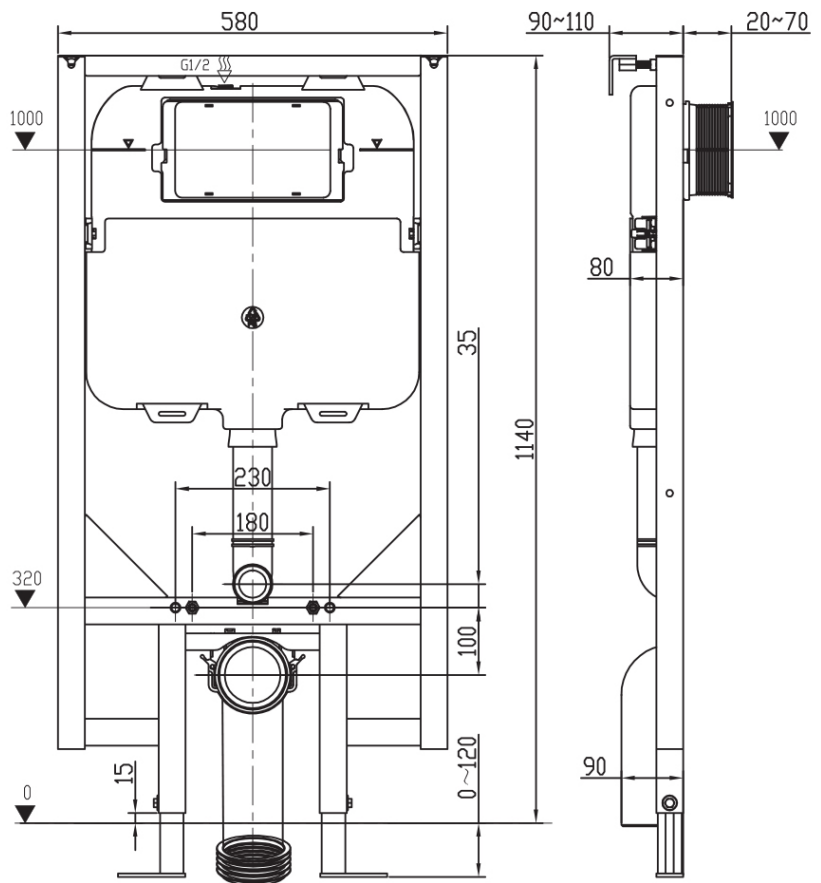
Required Product
Suitable matching pan

Recommended Products
Argent Wall Hung Pan

Additional Notes

- Suits Kubic and Round and Edge Flush Plates
- Kubic and Round Flush Plates available in many popular colours

Technical Specification



*Please visit argentaust.com.au/warranty to view the full warranty

Note: All dimensions are in millimetres and are subject to normal manufacturing variations. It is recommended to use the physical product measurements for cut-outs and rough-ins as the technical details shown may differ from the actual product. Use acetic cured silicone sealant. Do not use epoxy type adhesives. Clean with damp cloth. Do not use abrasive cleaners, liquids or pastes.

