



# Antao Wall Hung Toilet

P Trap | TwistFlush | Stone White | CeramicPlus | Soft Close Seat

**Product Image** **Product Details**



**Code:** 4674TORWS4B  
**Brand:** Villeroy & Boch  
**Range:** Antao  
**Warranty:** 10 Years\*  
**Product Width:** 373 mm  
**Product Depth:** 445 mm  
**WELS:** 4 Star 3.5 LPM, Reg #: L07722

**Additional Features** **Technical Specification**

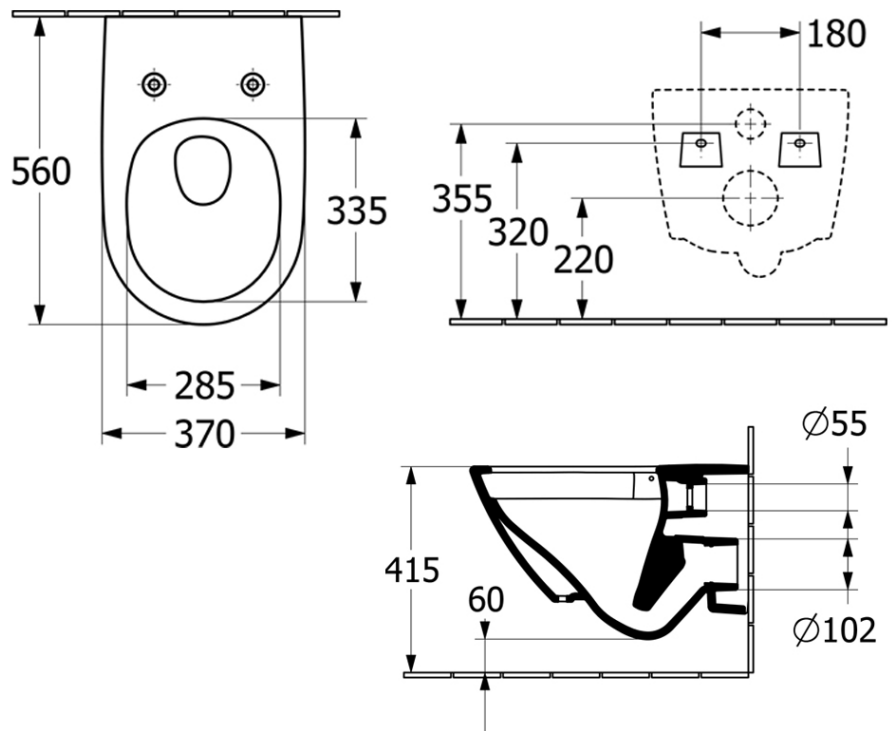
**Required Product**  
 Matching In Wall Cistern with Frame

**Recommended Products**  
 ViConnect 92233500 or 92233600  
 Cistern with Frame with E100 E200 Or  
 E300 ViConnect Flush Plate

**Additional Notes**

- TwistFlush
- Fully Smooth Sided
- Soft Close Seat

**Installation Instructions**  
 \* Featuring Villeroy & Boch SupraFix Technology



\*Please visit [argentaust.com.au/warranty](http://argentaust.com.au/warranty) to view the full warranty

*Note: All dimensions are in millimetres and are subject to normal manufacturing variations. Always use the physical product measurements for cut-outs and rough-ins as the technical details shown may differ from the actual product. Use acetic cured silicone sealant. Do not use epoxy type adhesives. Clean with damp cloth. Do not use abrasive cleaners, liquids or pastes.*





# ViConnect 80 Cistern & Frame

## Product Image



## Product Details

**Code:** 92233500  
**Brand:** Villeroy & Boch  
**Range:** ViConnect Cisterns  
**Warranty:** 15 Years\*  
**WELS:** 4 Star 3.3 LPM, Reg #: L07676

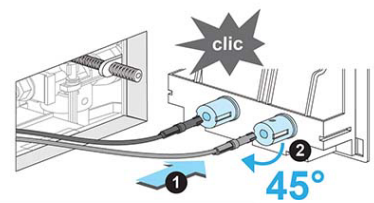
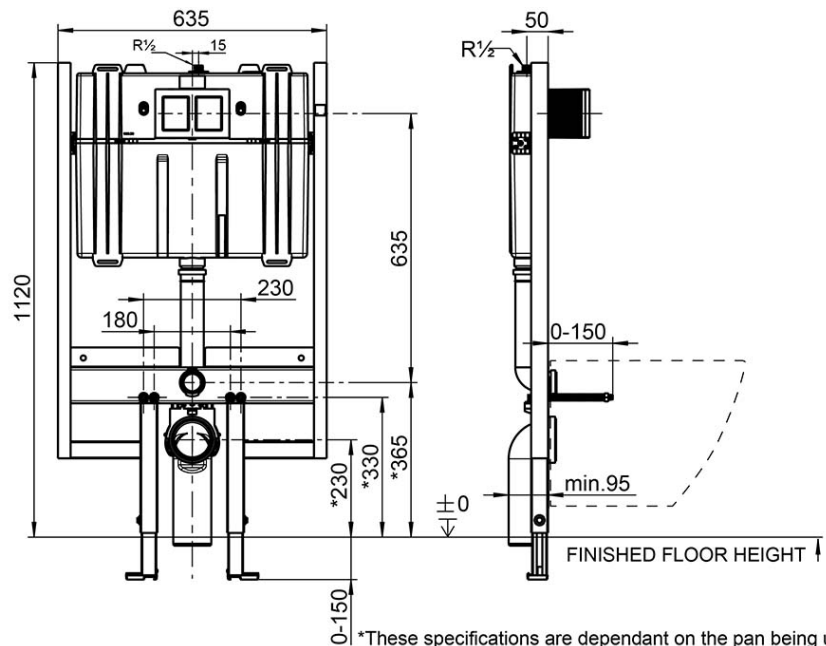
## Additional Features

**Required Product**  
 Compatible Flush Plate, Matching Wall Hung Pan  
  
**Recommended Products**  
 E100, 150S, E200, E300 Flush Plate

**Additional Notes**  
 • Fits into 90mm wall stud cavity.

\*Please visit [argentaust.com.au/warranty](http://argentaust.com.au/warranty) to view the full warranty

## Technical Specification



Note: All dimensions are in millimetres and are subject to normal manufacturing variations. It is recommended to use the physical product measurements for cut-outs and rough-ins as the technical details shown may differ from the actual product. Use acetic cured silicone sealant. Do not use epoxy type adhesives. Clean with damp cloth. Do not use abrasive cleaners, liquids or pastes.

