



# Subway 2.0 DirectFlush Wall Hung Toilet

Slim Seat

## Product Image



## Product Details

|                |                                   |
|----------------|-----------------------------------|
| <b>Code:</b>   | <b>5614R001L4B</b>                |
| Brand:         | Villeroy & Boch                   |
| Range:         | Subway 2.0                        |
| Warranty:      | 10 Years*                         |
| Product Width: | N/A                               |
| Product Depth: | N/A                               |
| WELS:          | 4 Star 3.5 LPM, Reg #: L05399 (V) |

## Additional Features

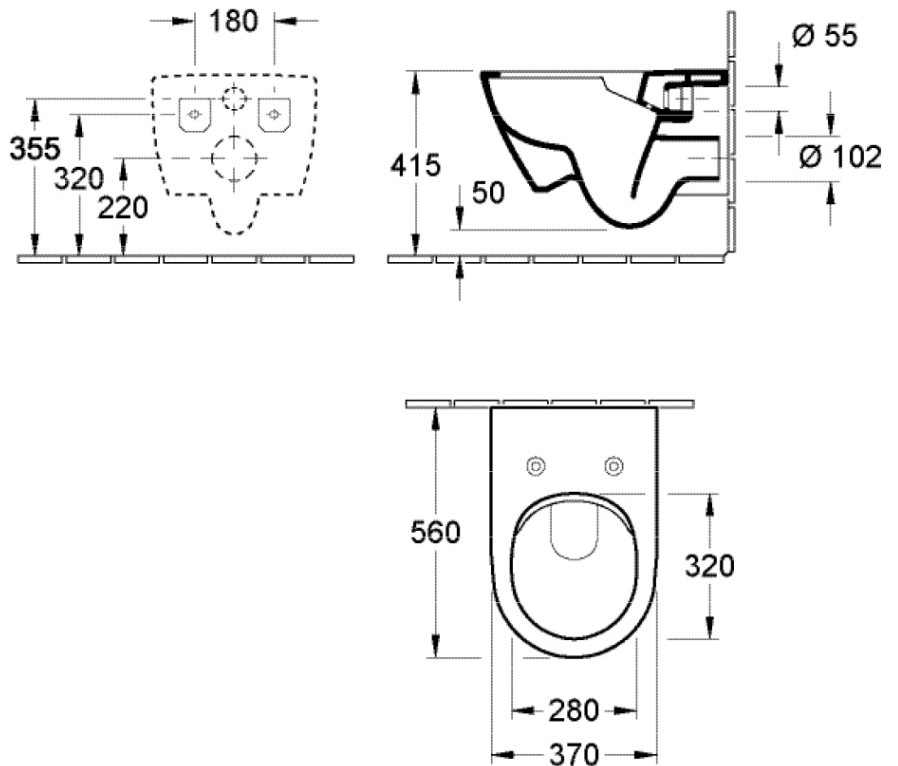
**Required Product**  
Matching InWall Cistern

**Recommended Products**  
92233500 ViConnect Cistern With Frame

**Additional Notes**

- Direct Flush Technology
- SupraFix Concealed Fixing

## Technical Specification



\*Please visit [argentaust.com.au/warranty](http://argentaust.com.au/warranty) to view the full warranty

Note: All dimensions are in millimetres and are subject to normal manufacturing variations. Always use the physical product measurements for cut-outs and rough-ins as the technical details shown may differ from the actual product. Use acetic cured silicone sealant. Do not use epoxy type adhesives. Clean with damp cloth. Do not use abrasive cleaners, liquids or pastes.





# ViConnect 80 Cistern & Frame

## Product Image



## Product Details

**Code:** 92233500  
**Brand:** Villeroy & Boch  
**Range:** ViConnect Cisterns  
**Warranty:** 15 Years\*  
**WELS:** 4 Star 3.3 LPM, Reg #: L07676

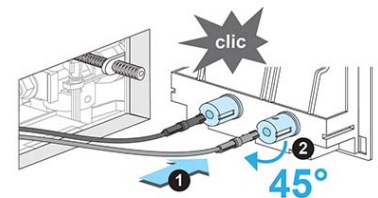
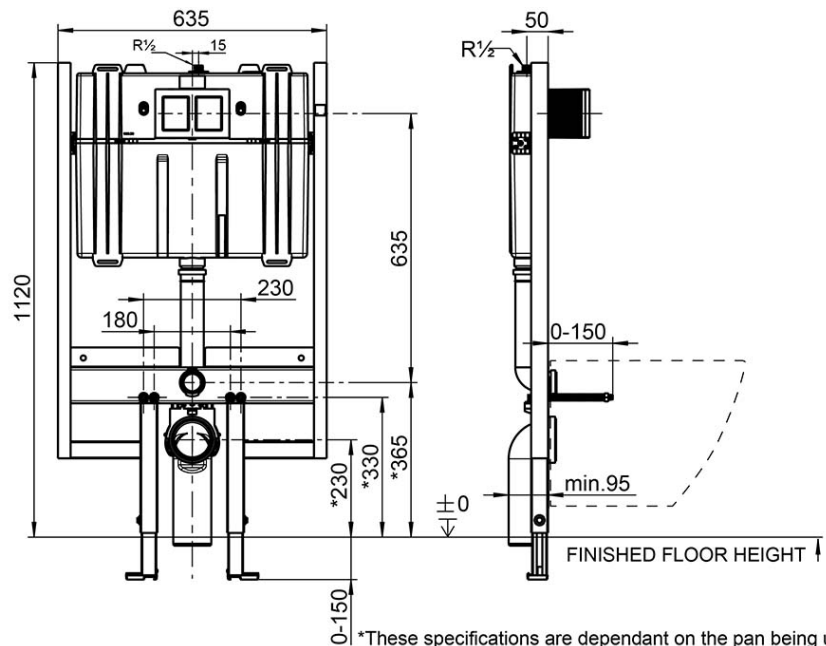
## Additional Features

**Required Product**  
 Compatible Flush Plate, Matching Wall Hung Pan

**Recommended Products**  
 E100, 150S, E200, E300 Flush Plate

**Additional Notes**  
 • Fits into 90mm wall stud cavity.

## Technical Specification



\*Please visit [argentaust.com.au/warranty](http://argentaust.com.au/warranty) to view the full warranty

Note: All dimensions are in millimetres and are subject to normal manufacturing variations. It is recommended to use the physical product measurements for cut-outs and rough-ins as the technical details shown may differ from the actual product. Use acetic cured silicone sealant. Do not use epoxy type adhesives. Clean with damp cloth. Do not use abrasive cleaners, liquids or pastes.

