



# Subway 2.0 DirectFlush Wall Hung Toilet

CeramicPlus

**Product Image** **Product Details**



**Code:** 5614R0R1S4B  
**Brand:** Villeroy & Boch  
**Range:** Subway 2.0  
**Warranty:** 10 Years\*  
**Product Width:** N/A  
**Product Depth:** N/A  
**WELS:** 4 Star 3.5 LPM, Reg #: L05398

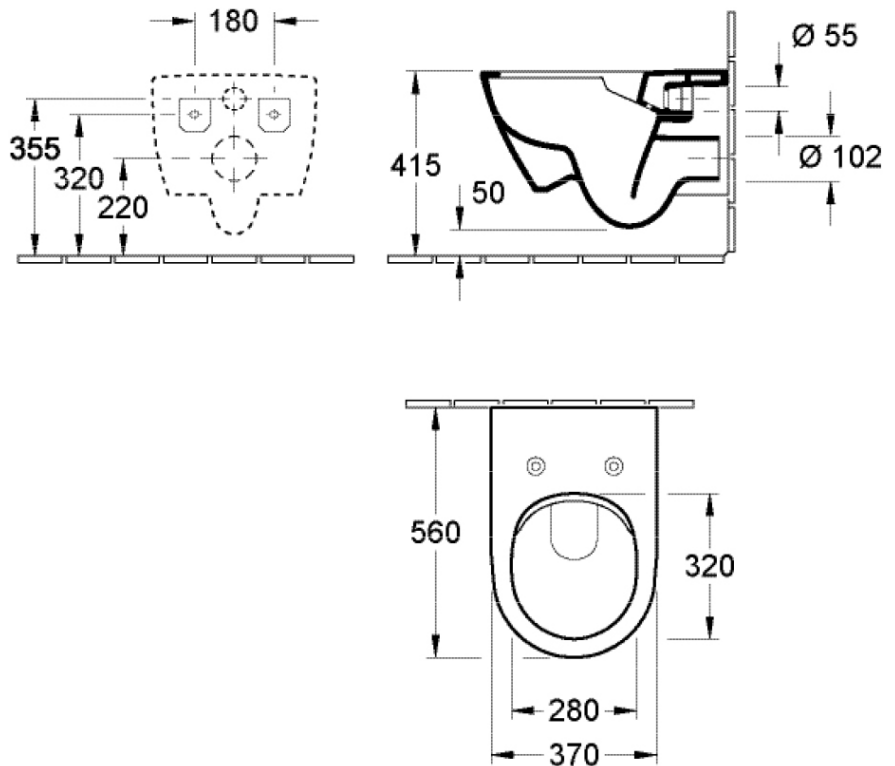
**Additional Features** **Technical Specification**

**Required Product**  
 Matching InWall Cistern

**Recommended Products**  
 92233500 ViConnect Cistern With Frame

**Additional Notes**

- Direct Flush Technology
- SupraFix Concealed Fixing



\*Please visit [argentaust.com.au/warranty](http://argentaust.com.au/warranty) to view the full warranty

*Note: All dimensions are in millimetres and are subject to normal manufacturing variations. Always use the physical product measurements for cut-outs and rough-ins as the technical details shown may differ from the actual product. Use acetic cured silicone sealant. Do not use epoxy type adhesives. Clean with damp cloth. Do not use abrasive cleaners, liquids or pastes.*





# Argent 80 In Wall Cistern & Frame - Mechanical

## Product Image



## Product Details

<b>Code:</b>	<b>IN48905</b>
Brand:	Argent
Range:	In Wall
Warranty:	15 Years*
WELS:	4 Star 3.5 LPM, Reg #: L05257

## Additional Features

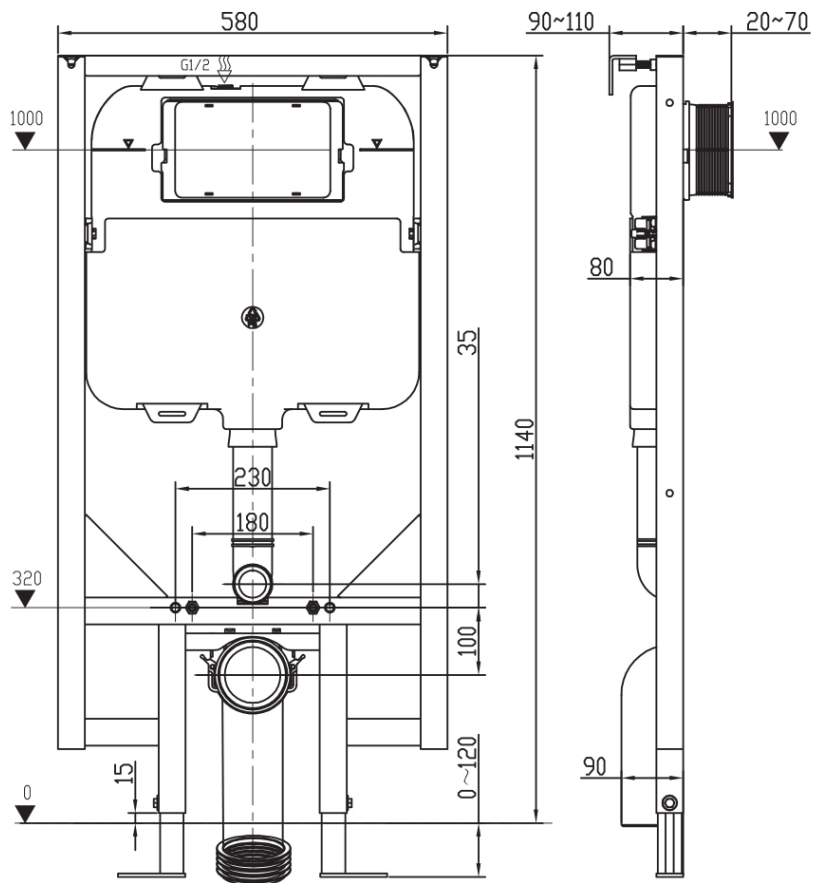
**Required Product**  
Suitable matching pan

**Recommended Products**  
Argent Wall Hung Pan

### Additional Notes

- Suits Kubic and Round and Edge Flush Plates
- Kubic and Round Flush Plates available in many popular colours

## Technical Specification



\*Please visit [argentaust.com.au/warranty](http://argentaust.com.au/warranty) to view the full warranty

Note: All dimensions are in millimetres and are subject to normal manufacturing variations. It is recommended to use the physical product measurements for cut-outs and rough-ins as the technical details shown may differ from the actual product. Use acetic cured silicone sealant. Do not use epoxy type adhesives. Clean with damp cloth. Do not use abrasive cleaners, liquids or pastes.

