



# Architectura 2.0 DirectFlush Wall Faced Toilet

S & P Trap | Ceramicplus

**Product Image** **Product Details**



**Code:** 5690R1R1S4DB  
**Brand:** Villeroy & Boch  
**Range:** Architectura 2.0  
**Warranty:** 10 Years\*  
**Product Width:** 340 mm  
**Product Depth:** 540 mm  
**WELS:** 4 Star 3.5 LPM, Reg #: L05245

**Additional Features** **Technical Specification**

**Required Product**  
 Matching In wall Cistern

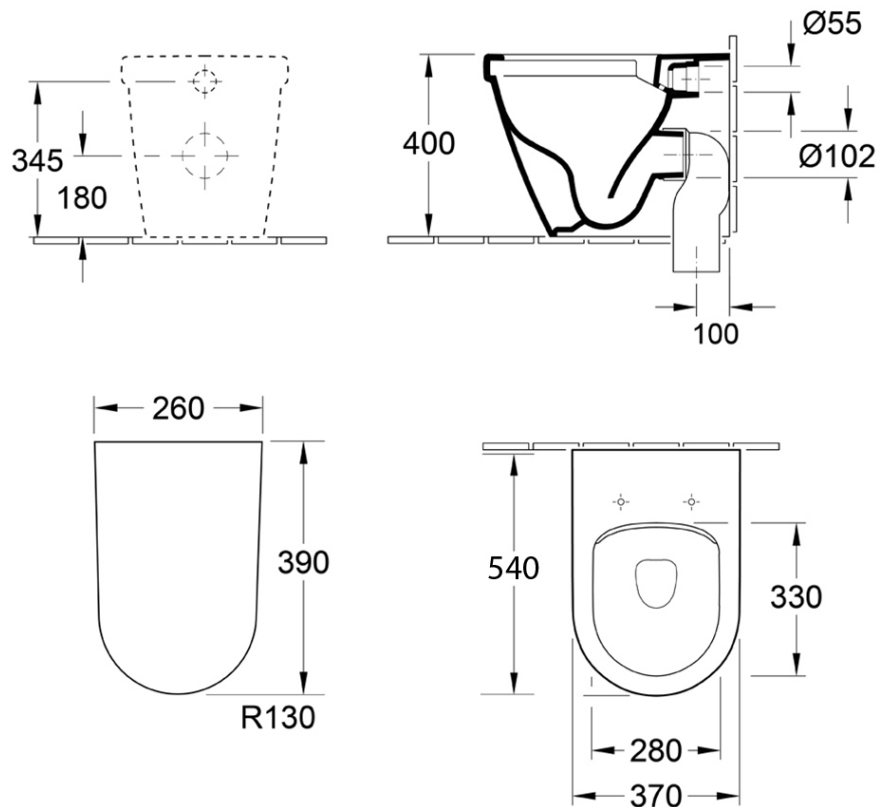
**Recommended Products**  
 ViConnect 92233300 or 92233400  
 Cisterns with matching E100 E200 or E300 Flush Plates

**Additional Notes**

- Villeroy & Boch Direct Flush Rimless Technology
- Soft Close Seat
- CeramicPlus Easy Clean Finish

**Installation Instructions**

- \* S trap set out 100mm
- \* Set out of 150mm can be achieved with VT103 Vario bend



\*Please visit [argentaust.com.au/warranty](http://argentaust.com.au/warranty) to view the full warranty

*Note: All dimensions are in millimetres and are subject to normal manufacturing variations. Always use the physical product measurements for cut-outs and rough-ins as the technical details shown may differ from the actual product. Use acetic cured silicone sealant. Do not use epoxy type adhesives. Clean with damp cloth. Do not use abrasive cleaners, liquids or pastes.*





# Argent 80 In Wall Cistern - Mechanical

## Product Image



## Product Details

<b>Code:</b>	<b>IN38905</b>
Brand:	Argent
Range:	In Wall
Warranty:	15 Years*
WELS:	4 Star 3.5 LPM, Reg #: L05256

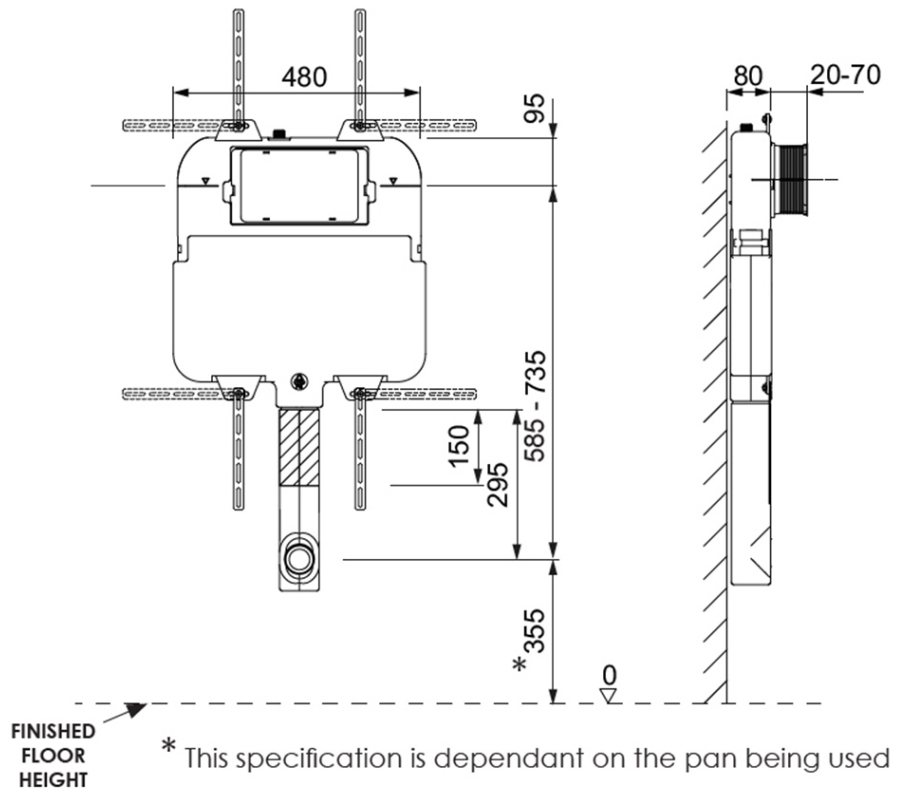
## Additional Features

**Required Product**  
Suitable matching pan

**Recommended Products**  
Argent Wall faced Pan

- Additional Notes**
- Suits Kubic and Round and Edge Flush Plates
  - Kubic and Round Flush Plates available in many popular colours

## Technical Specification



\*Please visit [argentaust.com.au/warranty](http://argentaust.com.au/warranty) to view the full warranty

Note: All dimensions are in millimetres and are subject to normal manufacturing variations. It is recommended to use the physical product measurements for cut-outs and rough-ins as the technical details shown may differ from the actual product. Use acetic cured silicone sealant. Do not use epoxy type adhesives. Clean with damp cloth. Do not use abrasive cleaners, liquids or pastes.

