



# Architectura 2.0 DirectFlush Wall Faced Toilet

S & P Trap | Slim Seat | Ceramicplus

**Product Image** **Product Details**



**Code:** 5690R1R1L4DB  
**Brand:** Villeroy & Boch  
**Range:** Architectura 2.0  
**Warranty:** 10 Years\*  
**Product Width:** 370 mm  
**Product Depth:** 540 mm  
**WELS:** 4 Star 3.5 LPM, Reg #: L05245

**Additional Features** **Technical Specification**

**Required Product**  
 Matching In wall Cistern

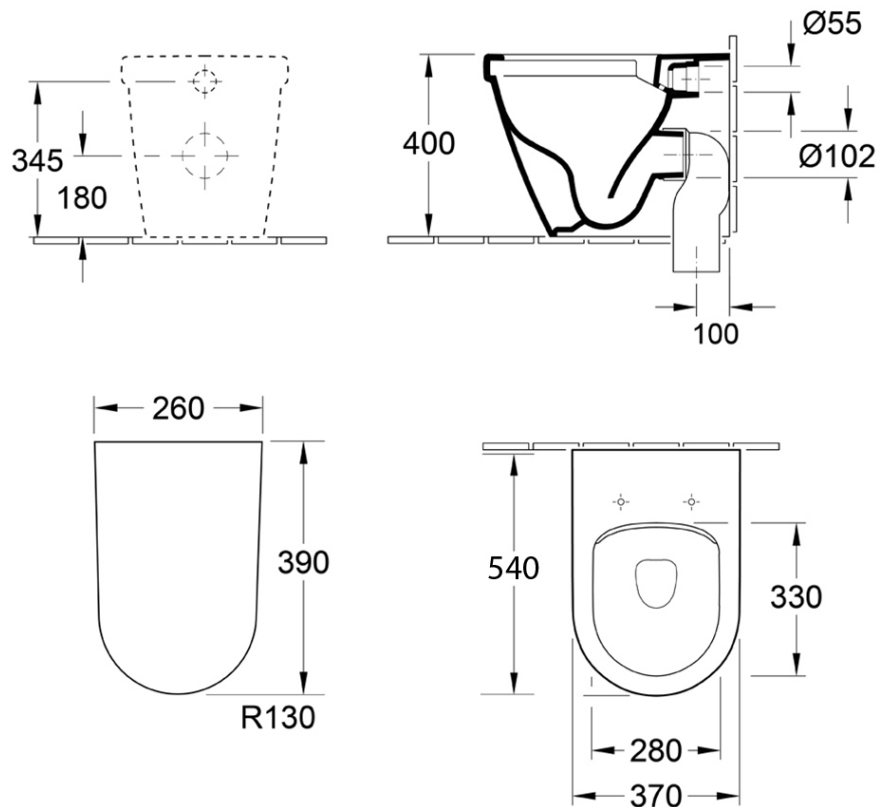
**Recommended Products**  
 ViConnect 92233300 or 92233400  
 Cisterns with matching E100 E200 or E300 Flush Plates

**Additional Notes**

- Villeroy & Boch Direct Flush Rimless Technology
- Slim Soft Close Seat
- CeramicPlus Easy Clean Finish

**Installation Instructions**

- \* S trap set out 100mm
- \* Set out of 150mm can be achieved with VT103 Vario bend



\*Please visit [argentaust.com.au/warranty](http://argentaust.com.au/warranty) to view the full warranty

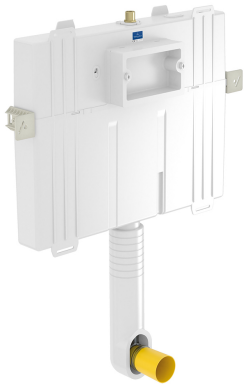
*Note: All dimensions are in millimetres and are subject to normal manufacturing variations. Always use the physical product measurements for cut-outs and rough-ins as the technical details shown may differ from the actual product. Use acetic cured silicone sealant. Do not use epoxy type adhesives. Clean with damp cloth. Do not use abrasive cleaners, liquids or pastes.*





# ViConnect 80 Cistern

**Product Image** **Product Details**



**Code:** 92233300  
**Brand:** Villeroy & Boch  
**Range:** ViConnect Cisterns  
**Warranty:** 15 Years\*  
**WELS:** 4 Star 3.3 LPM, Reg #: L07676

**Additional Features** **Technical Specification**

**Required Product**  
 Compatible Flush Plate, Matching Wall Faced Pan

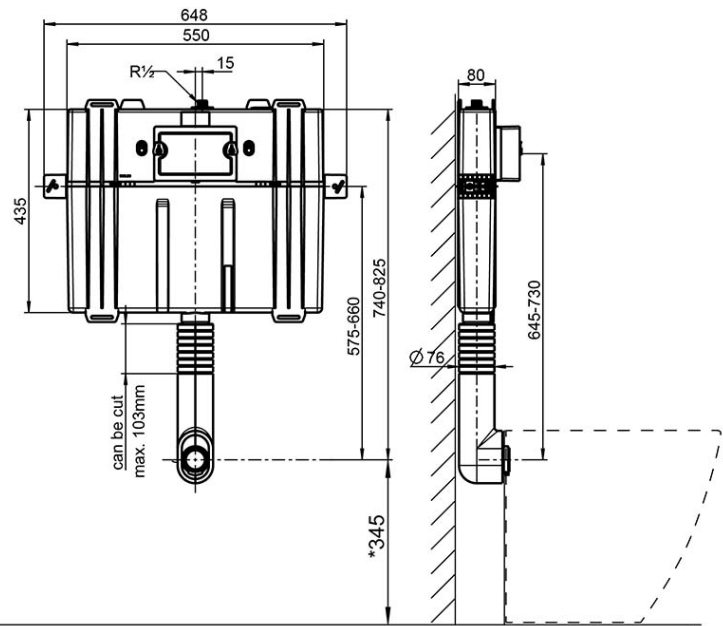
**Recommended Products**  
 E100, 150S, E200, E300 Flush Plate

**Additional Notes**

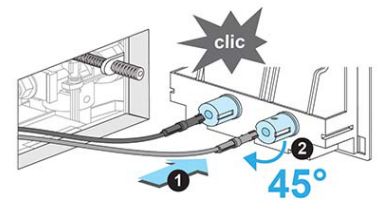
- Qwik Clic Cable Technology

**Installation Instructions**

\* Fits into 90mm wall stud cavity.



\*This specification is dependant on the pan being used FINISHED FLOOR HEIGHT ↑



\*Please visit [argentaust.com.au/warranty](http://argentaust.com.au/warranty) to view the full warranty

*Note: All dimensions are in millimetres and are subject to normal manufacturing variations. It is recommended to use the physical product measurements for cut-outs and rough-ins as the technical details shown may differ from the actual product. Use acetic cured silicone sealant. Do not use epoxy type adhesives. Clean with damp cloth. Do not use abrasive cleaners, liquids or pastes.*

