



Grace X Shower Mixer Trim

Brushed Nickel

Product Image



Product Details

Code:	S500680B
Brand:	Argent
Range:	Grace X
Warranty:	15 Years*
WELS:	N/A

Additional Features

Technical Specification

Required Product
U263100B

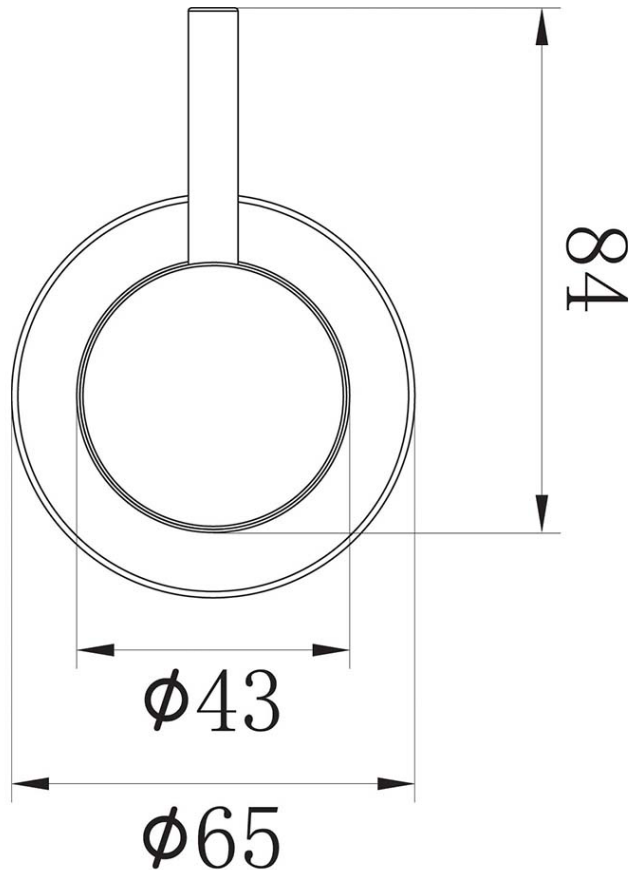
Recommended Products

Additional Notes

- Upward Facing Pin Lever
- 35mm Ceramic Cartridge
- Compact 65mm Plate

Installation Instructions

* ONLY COMPATIBLE WITH
COLOURFLEX BODY U263100B



*Please visit argentaust.com.au/warranty to view the full warranty

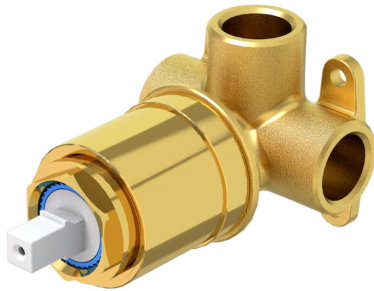
Note: All dimensions are in millimetres and are subject to normal manufacturing variations. It is recommended to use the physical product measurements for cut-outs and rough-ins as the technical details shown may differ from the actual product. Use acetic cured silicone sealant. Do not use epoxy type adhesives. Clean with damp cloth. Do not use abrasive cleaners, liquids or pastes.





ColourFlex X Shower Mixer body

Product Image



Product Details

Code:	U263100B
Brand:	Argent
Range:	Grace X
Warranty:	15 Years*
WELS:	N/A

Additional Features

Required Product
Grace X Shower Mixer Trim

Recommended Products

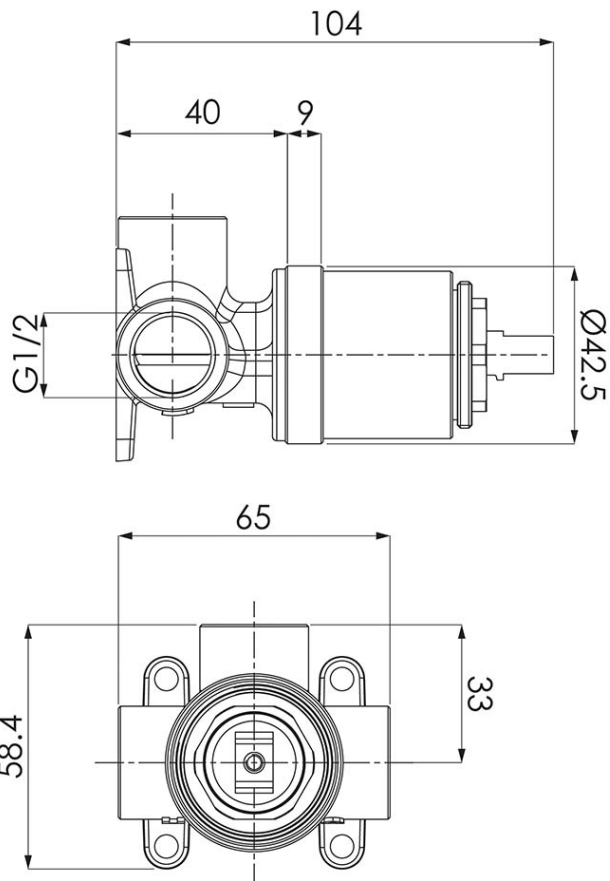
Additional Notes

- Lead Free
- 4 Screw Fixing for Accurate Installation
- Compact Body

Installation Instructions

* ONLY COMPATIBLE WITH GRACE X TRIM KIT

Technical Specification



*Please visit argentaust.com.au/warranty to view the full warranty

Note: All dimensions are in millimetres and are subject to normal manufacturing variations. It is recommended to use the physical product measurements for cut-outs and rough-ins as the technical details shown may differ from the actual product. Use acetic cured silicone sealant. Do not use epoxy type adhesives. Clean with damp cloth. Do not use abrasive cleaners, liquids or pastes.

