



Grace X Shower Mixer Trim

Brushed Nickel

Product Image



Product Details

Code:	S500680B
Brand:	Argent
Range:	Grace X
Warranty:	15 Years*
WELS:	N/A

Additional Features

Technical Specification

Required Product
U263100B

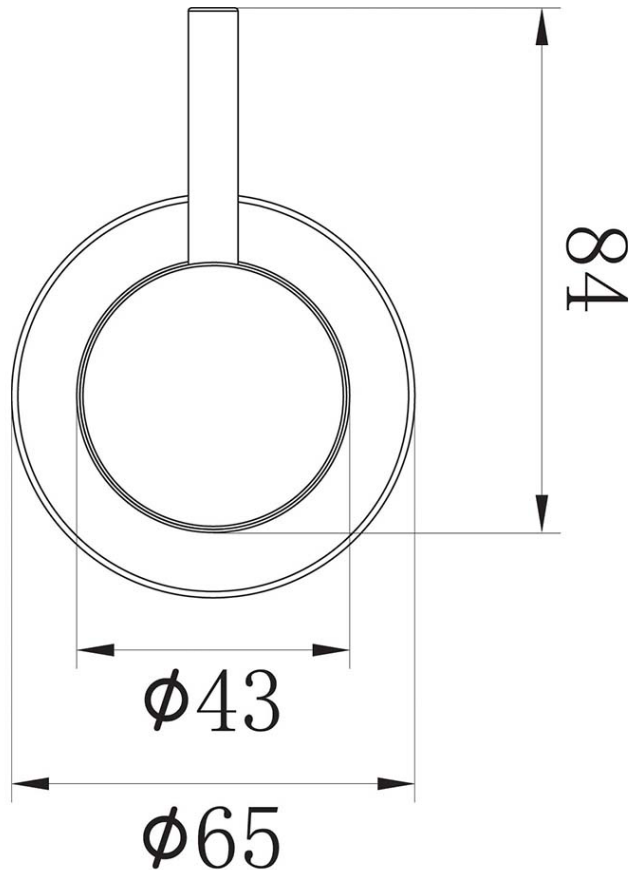
Recommended Products

Additional Notes

- Upward Facing Pin Lever
- 35mm Ceramic Cartridge
- Compact 65mm Plate

Installation Instructions

* ONLY COMPATIBLE WITH COLOURFLEX BODY U263100B



*Please visit argentaust.com.au/warranty to view the full warranty

Note: All dimensions are in millimetres and are subject to normal manufacturing variations. It is recommended to use the physical product measurements for cut-outs and rough-ins as the technical details shown may differ from the actual product. Use acetic cured silicone sealant. Do not use epoxy type adhesives. Clean with damp cloth. Do not use abrasive cleaners, liquids or pastes.

