



# Luxx Diverter Mixer Trim

**Product Image** **Product Details**



**Code:** 6831661B  
**Brand:** Villeroy & Boch  
**Range:** Luxx  
**Warranty:** 15 Years\*  
**WELS:** N/A

**Additional Features** **Technical Specification**

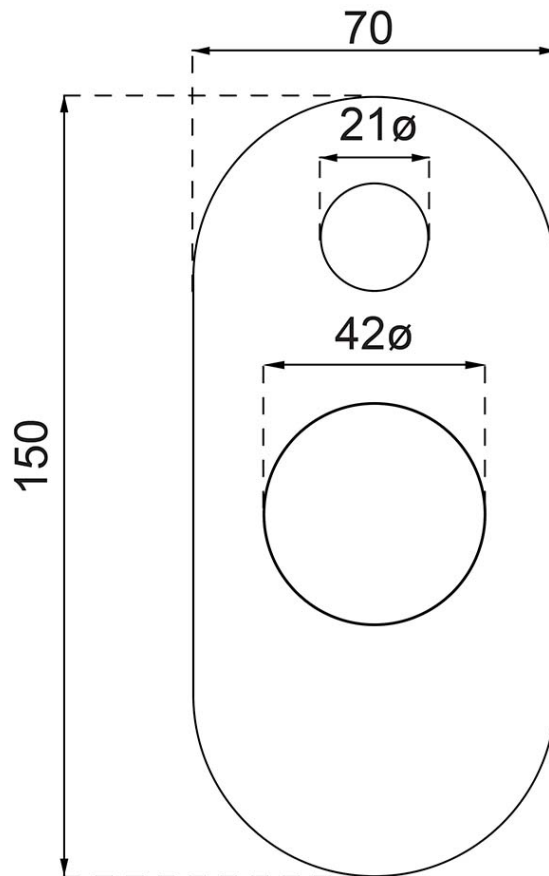
**Required Product**  
 ColourChoice 4485500

**Recommended Products**

**Additional Notes**

- 35mm Ceramic Cartridge
- Push Button Diverter Activation

**Installation Instructions**  
 \* ONLY USE COLOURCHOICE BODY 4485500



\*Please visit [argentaust.com.au/warranty](http://argentaust.com.au/warranty) to view the full warranty

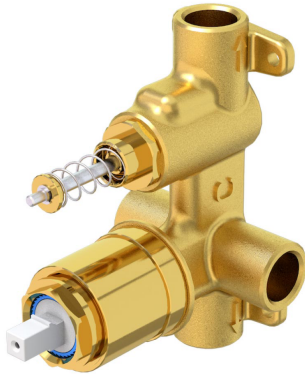
*Note: All dimensions are in millimetres and are subject to normal manufacturing variations. It is recommended to use the physical product measurements for cut-outs and rough-ins as the technical details shown may differ from the actual product. Use acetic cured silicone sealant. Do not use epoxy type adhesives. Clean with damp cloth. Do not use abrasive cleaners, liquids or pastes.*





# ColourChoice Diverter Mixer Body

## Product Image



## Product Details

<b>Code:</b>	<b>4485500</b>
Brand:	Villeroy & Boch
Range:	ColourChoice
Warranty:	15 Years*
WELS:	N/A

## Additional Features

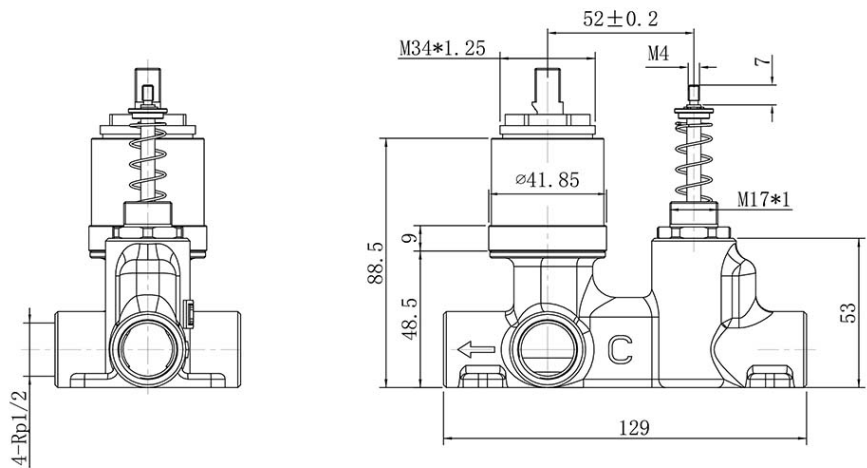
## Technical Specification

### Required Product

### Recommended Products

### Additional Notes

- Lead Free
- One Body For All Colours & Designs
- Choose Colour & Design In Final Stage of Building/Renovation
- 4 Screw Fixing for Accurate Installation
- Compact Body



\*Please visit [argentaust.com.au/warranty](http://argentaust.com.au/warranty) to view the full warranty

Note: All dimensions are in millimetres and are subject to normal manufacturing variations. Always use the physical product measurements for cut-outs and rough-ins as the technical details shown may differ from the actual product. Use acetic cured silicone sealant. Do not use epoxy type adhesives. Clean with damp cloth. Do not use abrasive cleaners, liquids or pastes.

