



Luxx Diverter Mixer Trim

Brushed Nickel

Product Image **Product Details**



Code: 6831680B
Brand: Villeroy & Boch
Range: Luxx
Warranty: 15 Years*
WELS: N/A

Additional Features **Technical Specification**

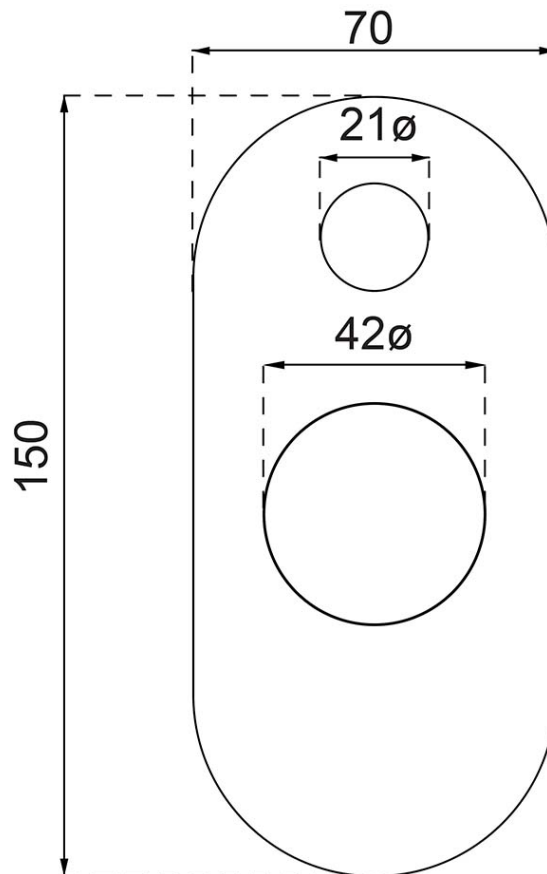
Required Product
 ColourChoice 4485500

Recommended Products

Additional Notes

- 35mm Ceramic Cartridge
- Push Button Diverter Activation

Installation Instructions
 * ONLY USE COLOURCHOICE BODY 4485500



*Please visit argentaust.com.au/warranty to view the full warranty

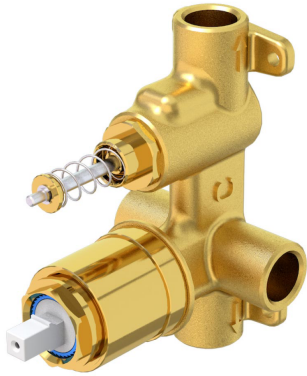
Note: All dimensions are in millimetres and are subject to normal manufacturing variations. It is recommended to use the physical product measurements for cut-outs and rough-ins as the technical details shown may differ from the actual product. Use acetic cured silicone sealant. Do not use epoxy type adhesives. Clean with damp cloth. Do not use abrasive cleaners, liquids or pastes.





ColourChoice Diverter Mixer Body

Product Image



Product Details

Code:	4485500
Brand:	Villeroy & Boch
Range:	ColourChoice
Warranty:	15 Years*
WELS:	N/A

Additional Features

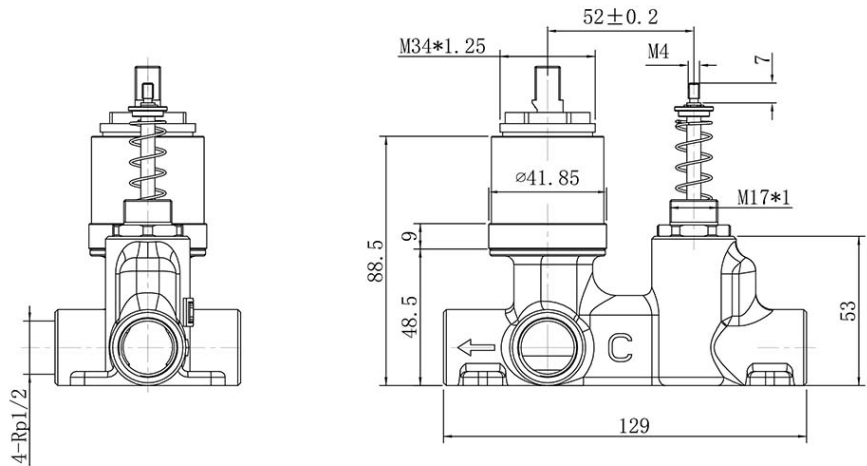
Technical Specification

Required Product

Recommended Products

Additional Notes

- Lead Free
- One Body For All Colours & Designs
- Choose Colour & Design In Final Stage of Building/Renovation
- 4 Screw Fixing for Accurate Installation
- Compact Body



*Please visit argentaust.com.au/warranty to view the full warranty

Note: All dimensions are in millimetres and are subject to normal manufacturing variations. Always use the physical product measurements for cut-outs and rough-ins as the technical details shown may differ from the actual product. Use acetic cured silicone sealant. Do not use epoxy type adhesives. Clean with damp cloth. Do not use abrasive cleaners, liquids or pastes.

