



Grace Neu Hygienic Flush Wall Faced Toilet

S&P Trap

Product Image



Product Details

Code: 8H157R001S4B
Brand: Argent
Range: GRACE
Warranty: 10 Years*
Product Width: 370 mm
Product Depth: 535 mm
WELS: 4 Star 3.5 LPM, Reg #: L06369

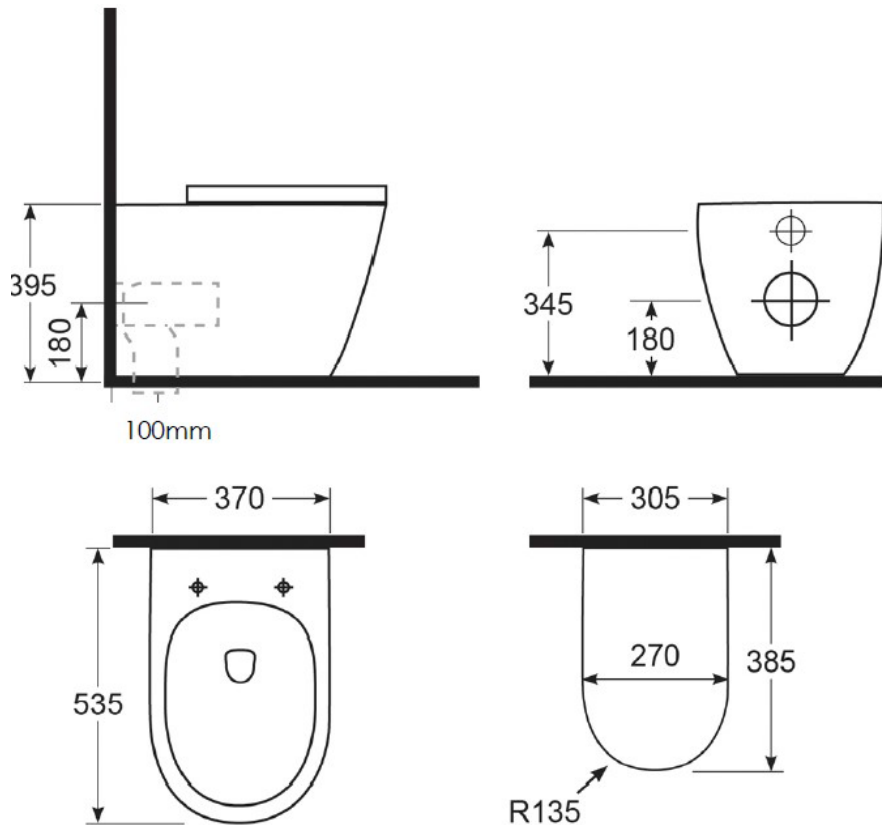
Additional Features

Technical Specification

Required Product
 Matching InWall Cistern

Recommended Products
 IN38905 or IN36305

- Additional Notes**
- Hygienic Flush Rim
 - S&P Trap
 - S trap set out 100mm



*Please visit argentaust.com.au/warranty to view the full warranty

Note: All dimensions are in millimetres and are subject to normal manufacturing variations. Always use the physical product measurements for cut-outs and rough-ins as the technical details shown may differ from the actual product. Use acetic cured silicone sealant. Do not use epoxy type adhesives. Clean with damp cloth. Do not use abrasive cleaners, liquids or pastes.





Argent 80 In Wall Cistern - Mechanical

Product Image



Product Details

Code: IN38905
Brand: Argent
Range: In Wall
Warranty: 15 Years*
WELS: 4 Star 3.5 LPM, Reg #: L05256

Additional Features

Required Product

Suitable matching pan

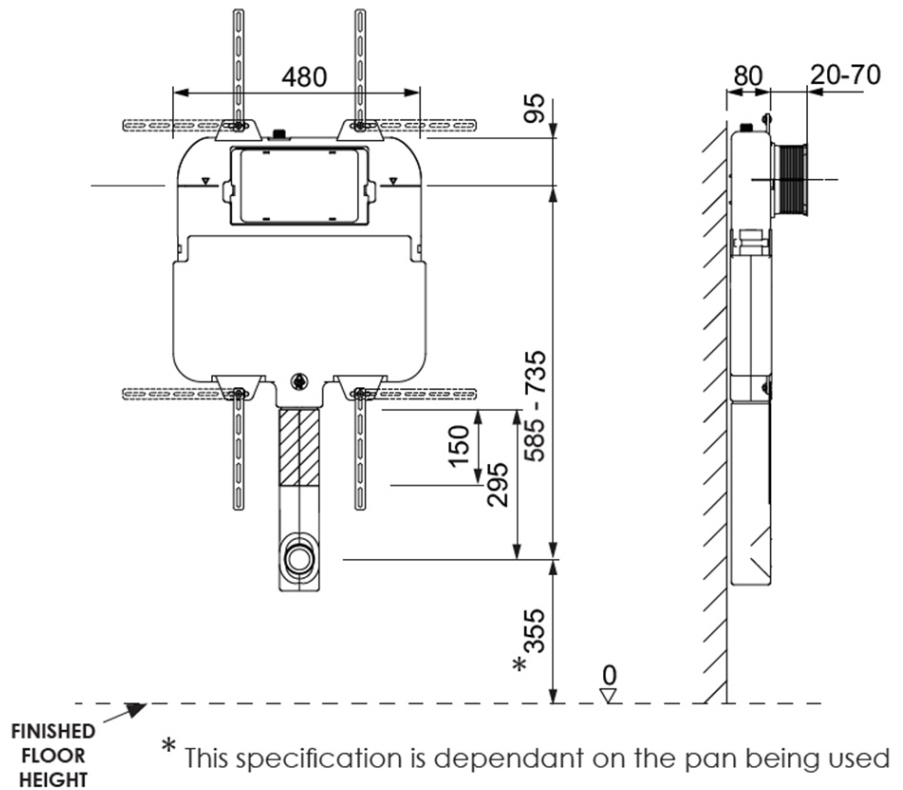
Recommended Products

Argent Wall faced Pan

Additional Notes

- Suits Kubic and Round and Edge Flush Plates
- Kubic and Round Flush Plates available in many popular colours

Technical Specification



*Please visit argentaust.com.au/warranty to view the full warranty

Note: All dimensions are in millimetres and are subject to normal manufacturing variations. It is recommended to use the physical product measurements for cut-outs and rough-ins as the technical details shown may differ from the actual product. Use acetic cured silicone sealant. Do not use epoxy type adhesives. Clean with damp cloth. Do not use abrasive cleaners, liquids or pastes.