



# Grace Neu HygienicFlush Wall faced Toilet

S&P Trap, Matte White

## Product Image



## Product Details

<b>Code:</b>	<b>8H157R001S4MW</b>
Brand:	Argent
Range:	Grace
Warranty:	10 Years*
Product Width:	370 mm
Product Depth:	535 mm
WELS:	4 Star 4.5 LPM, Reg #: L06369

## Additional Features

### Required Product

Matching In wall Cistern & Flush Plate

### Recommended Products

Argent IN38905 or IN36305 In Wall Cisterns, Kubic or Grace Round Flush Plates

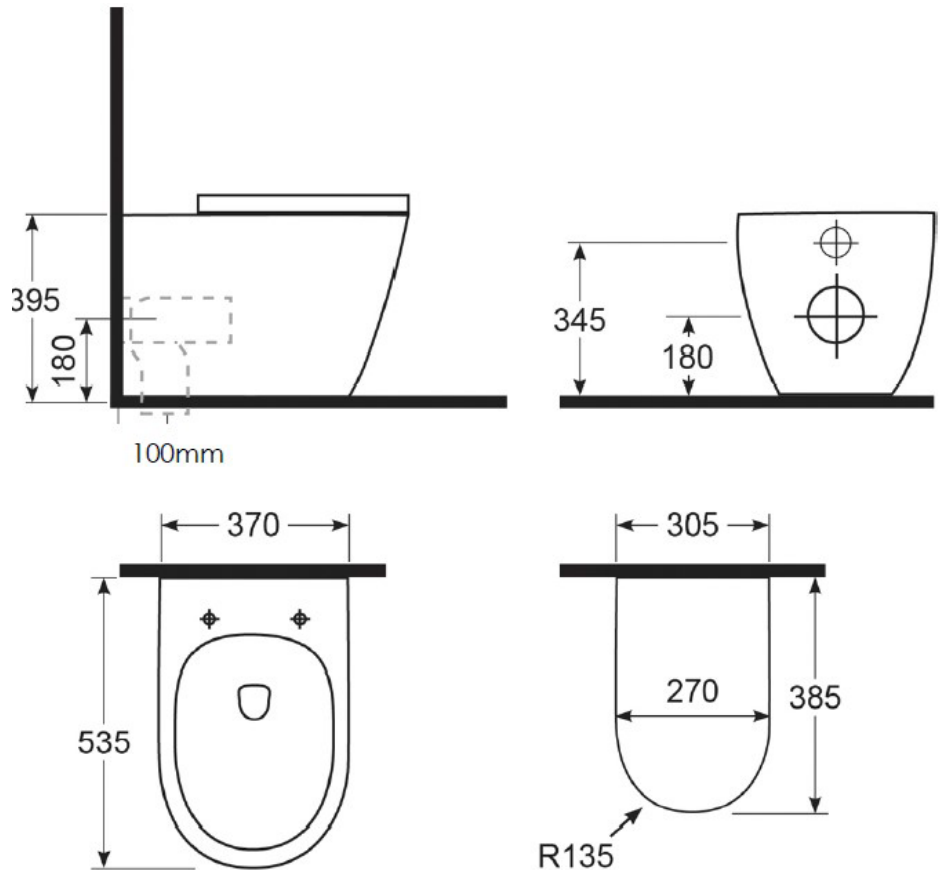
### Additional Notes

- Fully Smooth sided
- Compact projection
- HygienicFlush Rim

### Installation Instructions

\* S&P Trap

## Technical Specification



\*Please visit [argentaust.com.au/warranty](http://argentaust.com.au/warranty) to view the full warranty

Note: All dimensions are in millimetres and are subject to normal manufacturing variations. Always use the physical product measurements for cut-outs and rough-ins as the technical details shown may differ from the actual product. Use acetic cured silicone sealant. Do not use epoxy type adhesives. Clean with damp cloth. Do not use abrasive cleaners, liquids or pastes.





# Argent 80 In Wall Cistern - Mechanical

## Product Image



## Product Details

<b>Code:</b>	<b>IN38905</b>
Brand:	Argent
Range:	In Wall
Warranty:	15 Years*
WELS:	4 Star 3.5 LPM, Reg #: L05256

## Additional Features

### Required Product

Suitable matching pan

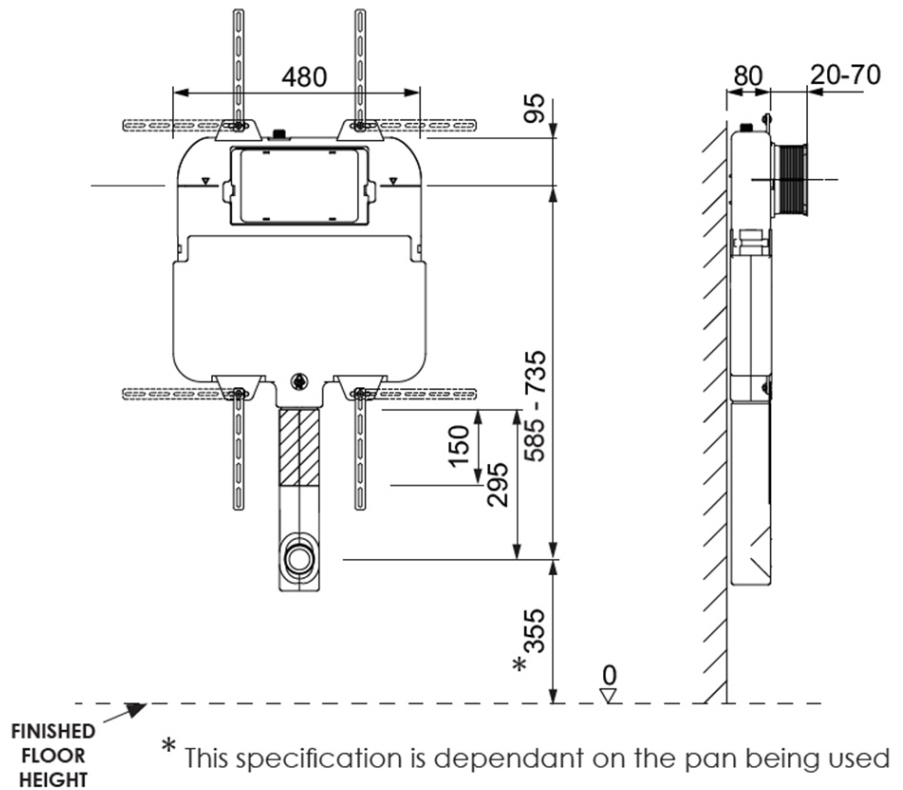
### Recommended Products

Argent Wall faced Pan

### Additional Notes

- Suits Kubic and Round and Edge Flush Plates
- Kubic and Round Flush Plates available in many popular colours

## Technical Specification



\*Please visit [argentaust.com.au/warranty](http://argentaust.com.au/warranty) to view the full warranty

Note: All dimensions are in millimetres and are subject to normal manufacturing variations. It is recommended to use the physical product measurements for cut-outs and rough-ins as the technical details shown may differ from the actual product. Use acetic cured silicone sealant. Do not use epoxy type adhesives. Clean with damp cloth. Do not use abrasive cleaners, liquids or pastes.

