



# Vista HygienicFlush Wall Faced Toilet

S&P Trap

## Product Image



## Product Details

<b>Code:</b>	<b>H175AR01S4B</b>
Brand:	Argent
Range:	Vista
Warranty:	10 Years*
Product Width:	N/A
Product Depth:	N/A
WELS:	4 Star 3.5 LPM, Reg #: L06513

## Additional Features

## Technical Specification

### Required Product

### Recommended Products

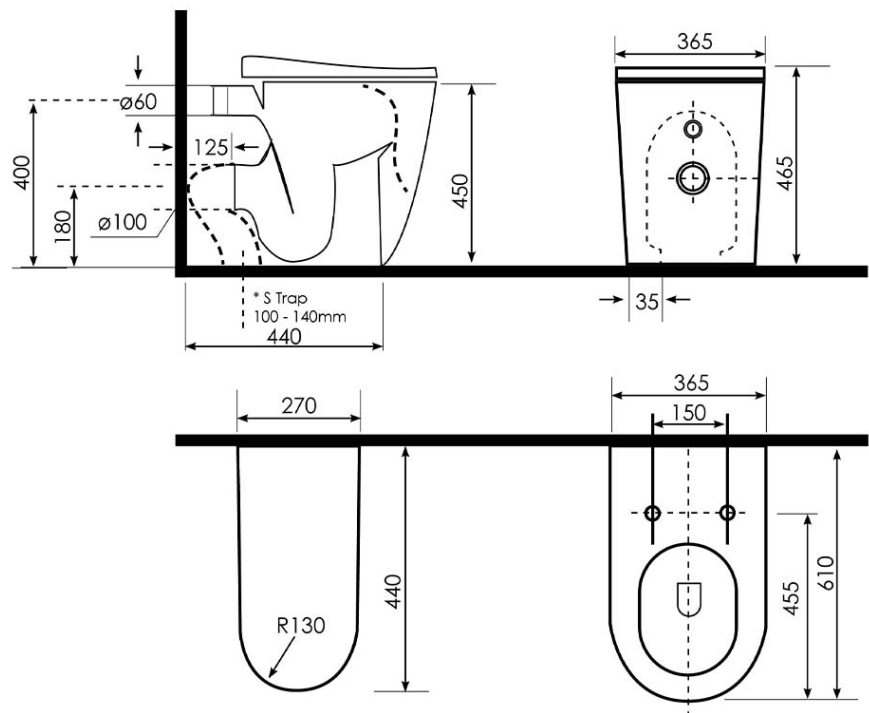
IN38905, IN36305

### Additional Notes

- Ambulant Compliant
- HygienicFlush
- S&P Trap

### Installation Instructions

\* Can be used in ambulant-assisted living installations with the increased seat height and length



\*Please visit [argentaust.com.au/warranty](http://argentaust.com.au/warranty) to view the full warranty

Note: All dimensions are in millimetres and are subject to normal manufacturing variations. Always use the physical product measurements for cut-outs and rough-ins as the technical details shown may differ from the actual product. Use acetic cured silicone sealant. Do not use epoxy type adhesives. Clean with damp cloth. Do not use abrasive cleaners, liquids or pastes.





# Argent 80 In Wall Cistern - Mechanical

## Product Image



## Product Details

<b>Code:</b>	<b>IN38905</b>
Brand:	Argent
Range:	In Wall
Warranty:	#15 Years
WELS:	4 Star 3.5 LPM, Reg #: L05256

## Additional Features

### Required Product

Suitable matching pan

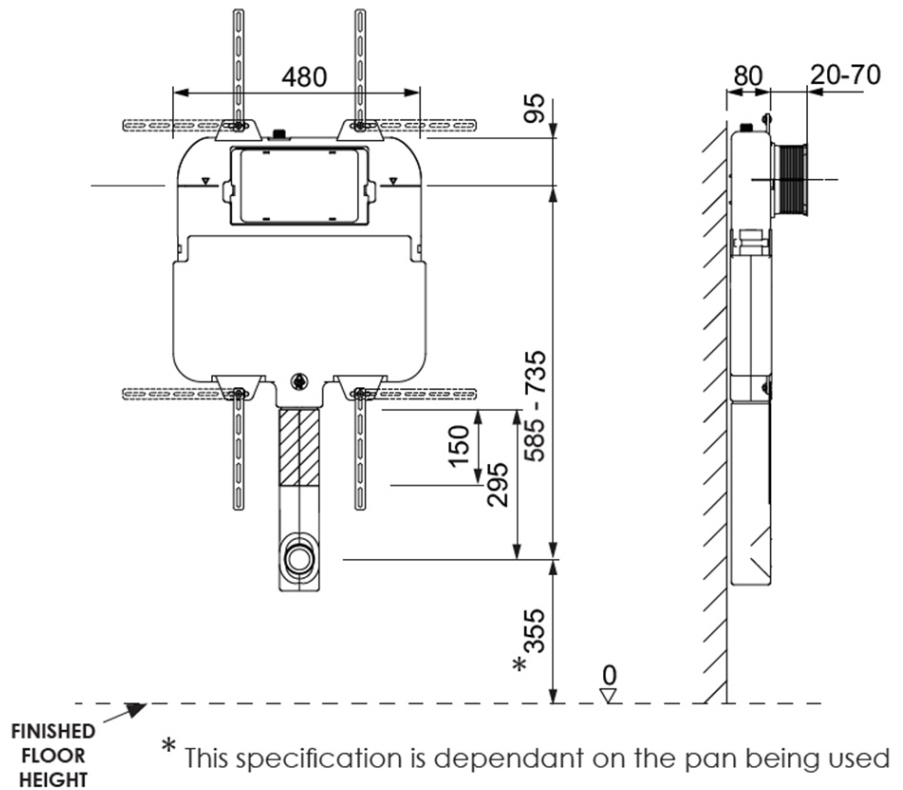
### Recommended Products

Argent Wall faced Pan

### Additional Notes

- Suits Kubic and Round and Edge Flush Plates
- Kubic and Round Flush Plates available in many popular colours

## Technical Specification



\*Please visit [argentaust.com.au/warranty](http://argentaust.com.au/warranty) to view the full warranty

Note: All dimensions are in millimetres and are subject to normal manufacturing variations. Always use the physical product measurements for cut-outs and rough-ins as the technical details shown may differ from the actual product. Use acetic cured silicone sealant. Do not use epoxy type adhesives. Clean with damp cloth. Do not use abrasive cleaners, liquids or pastes.

