



Evoke Wall Faced Argent 80 Toilet System

S & P Trap | Soft Close Seat

Product Image Product Details



Code: SWF100A80
Brand: Argent
Range: Evoke
Warranty: 10/3 - Ceramic / Smart Seat Years*
Product Width: N/A
Product Depth: N/A
WELS: 4 Star 3.3 LPM, Reg #: L08435

Additional Features

Required Product
 Compatible Argent Flushplate Sold Separately

Recommended Products
 Grace and Kubic Flush Plates available in many popular colours

Additional Notes

- Remote control
- Fully integrated
- Adjustable temperate and flow functions
- Multiple wash options
- Adjustable Air Drying
- Night light with ambient function
- Foot operated automatic seat

Installation Instructions

- * Electrical rough in with Isolated 10amp circuit required
- * Includes Air gap approved to AS2845 and AS/NZS3500
- * S Trap Set out - 130mm

See over page for dimensional drawing

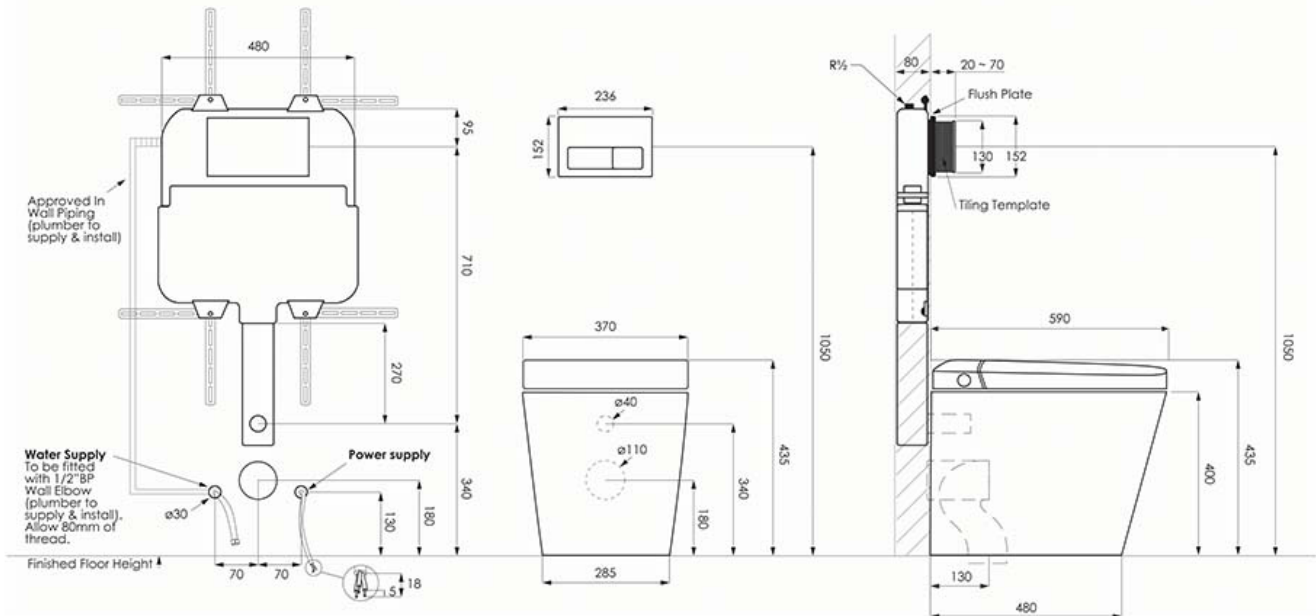


Evoke Wall Faced Argent 80 Toilet System

S & P Trap | Soft Close Seat

Technical Specification

Optimal Measurements for Button Height



*Please visit argentaust.com.au/warranty to view the full warranty

Note: All dimensions are in millimetres and are subject to normal manufacturing variations. Always use the physical product measurements for cut-outs and rough-ins as the technical details shown may differ from the actual product. Use acetic cured silicone sealant. Do not use epoxy type adhesives. Clean with damp cloth. Do not use abrasive cleaners, liquids or pastes.

