



Evoke Wall Faced Smart Toilet

S & P Trap | Soft Close Seat

Product Image



Product Details

Code:	SWF100
Brand:	Argent
Range:	Evoke
Warranty:	10/3 - Ceramic / Smart Seat Years*
Product Width:	370 mm
Product Depth:	585 mm
WELS:	4 Star 3.3 LPM, Reg #: L08435

Additional Features

Required Product

Inwall Smart cistern

Recommended Products

Inwall cistern button

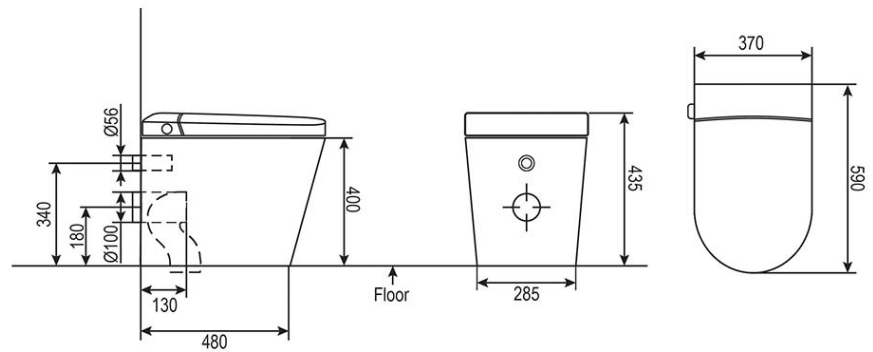
Additional Notes

- Remote control
- Fully integrated
- Adjustable temperate and flow functions
- Multiple wash options
- Adjustable Air Drying
- Night light with ambient function
- Foot operated automatic seat

Installation Instructions

- * Electrical rough in with Isolated 10amp circuit required
- * Includes Air gap approved to AS2845 and AS/NZS3500
- * S Trap Set out - 130mm

Technical Specification



*Please visit argentaust.com.au/warranty to view the full warranty

Note: All dimensions are in millimetres and are subject to normal manufacturing variations. It is recommended to use the physical product measurements for cut-outs and rough-ins as the technical details shown may differ from the actual product. Use acetic cured silicone sealant. Do not use epoxy type adhesives. Clean with damp cloth. Do not use abrasive cleaners, liquids or pastes.

