



# O.Novo Style S Rectangular Wall Mounted Basin Trim

Brushed Nickel

**Product Image** **Product Details**



**Code:** 2995080B  
**Brand:** Villeroy & Boch  
**Range:** O.Novo Style  
**Warranty:** 15 Years\*  
**WELS:** 5 Star 5.5 LPM, Reg #: T43587

**Additional Features** **Technical Specification**

**Required Product**  
 ColourChoice 8733500

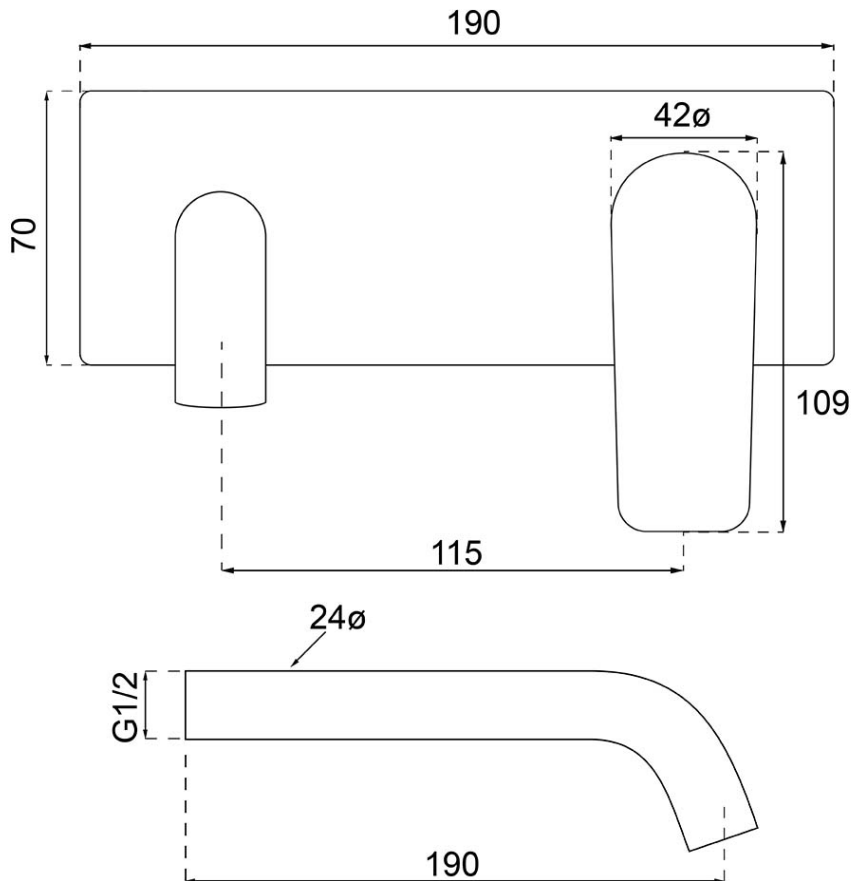
**Recommended Products**

**Additional Notes**

- Lead Free
- 115mm Centres
- 35mm Ceramic Cartridge
- Spout Can Be Positioned On The Left Hand Side Of The Mixer Only
- Use as a Bath Mixer By Changing To The Full Flow Aerator Provided In The Box

**Installation Instructions**

- \* NOT COMPATIBLE WITH UNIVERSAL BODY
- \* ONLY USE COLOURCHOICE BODY 8733500



\*Please visit [argentaust.com.au/warranty](http://argentaust.com.au/warranty) to view the full warranty

*Note: All dimensions are in millimetres and are subject to normal manufacturing variations. Always use the physical product measurements for cut-outs and rough-ins as the technical details shown may differ from the actual product. Use acetic cured silicone sealant. Do not use epoxy type adhesives. Clean with damp cloth. Do not use abrasive cleaners, liquids or pastes.*





# ColourChoice Wall Mounted Basin Mixer Body 35mm

**Product Image**



**Product Details**

**Code:** 8733500  
**Brand:** Villeroy & Boch  
**Range:** ColourChoice  
**Warranty:** 15 Years\*  
**WELS:** N/A

**Additional Features**

**Technical Specification**

**Required Product**

**Recommended Products**

**Additional Notes**

- Lead Free
- One Body For All Colours
- Choose Colour & Design In Final Stage of Building/Renovation
- 4 Screw Fixing for Accurate Installation
- Compact Body



\*Please visit [argentaust.com.au/warranty](http://argentaust.com.au/warranty) to view the full warranty

Note: All dimensions are in millimetres and are subject to normal manufacturing variations. Always use the physical product measurements for cut-outs and rough-ins as the technical details shown may differ from the actual product. Use acetic cured silicone sealant. Do not use epoxy type adhesives. Clean with damp cloth. Do not use abrasive cleaners, liquids or pastes.

