

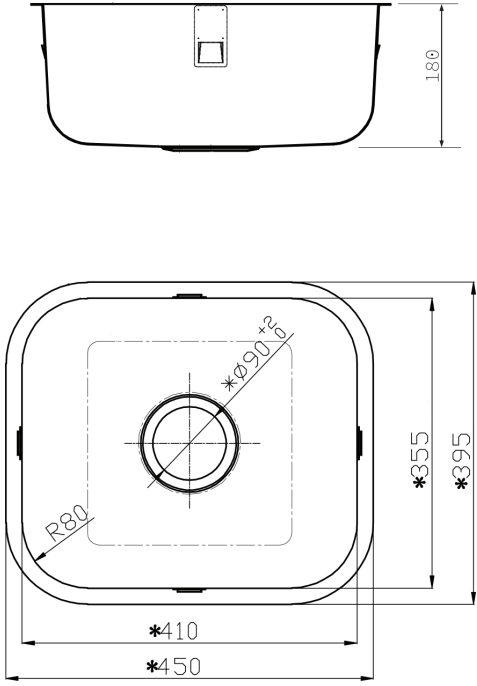





TEMPO 450 SINK

Product Image	Technical Specification						
 <div data-bbox="82 1146 619 1359"> <table border="1"> <tr> <td data-bbox="82 1146 258 1191">FB300</td> <td data-bbox="258 1146 434 1191">DR002</td> <td data-bbox="434 1146 619 1191">DT304</td> </tr> <tr> <td data-bbox="82 1191 258 1359">  <p>A</p> </td> <td data-bbox="258 1191 434 1359">  <p>B</p> </td> <td data-bbox="434 1191 619 1359">  <p>C</p> </td> </tr> </table> </div>	FB300	DR002	DT304	 <p>A</p>	 <p>B</p>	 <p>C</p>	
FB300	DR002	DT304					
 <p>A</p>	 <p>B</p>	 <p>C</p>					

Description	
Tempo 450 Sink	
KS3044100	Main Bowl
KS3044100FDTB	A B C and including

Additional Information
<ul style="list-style-type: none"> • Low Profile Edge • 304 Stainless Steel Silk Mid Level Polish • Topmount & Undermount • 26 Litre Capacity • Suits 500 Carcass or larger
<p>INSTALLATION DISCLAIMER ALL TEMPLATES, LINE DRAWINGS & ELECTRONIC FILES ARE SUPPLIED AS A GUIDE ONLY. PLEASE CROSS CHECK WITH ACTUAL BOWL BEFORE COMMENCING ANY CUTOUT AND ENSURE RADII ARE SUITABLE TO BENCHTOP MATERIAL TOLERANCES. ARGENT ACCEPTS NO RESPONSIBILITY FOR CUTOUT ERRORS.</p>

