



Evoke 600 Oval Vessel Basin

Matte White | No Tap Hole | Overflow

Product Image



Product Details

Code:	V2360MW
Brand:	Argent
Range:	Evoke
Warranty:	10 Years*
Product Width:	600 mm
Product Depth:	400 mm
WELS:	N/A

Additional Features

Technical Specification

Required Product
32mm waste

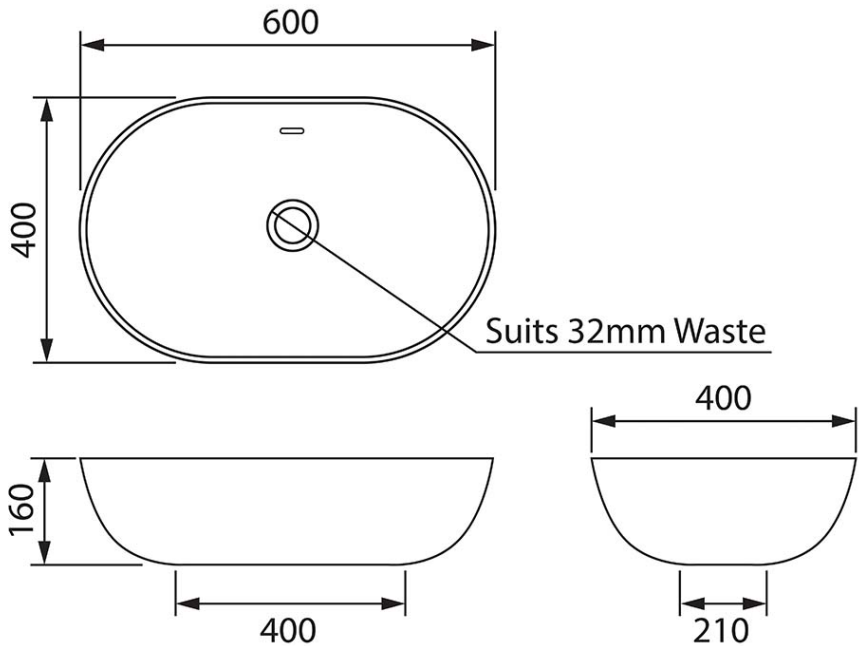
Recommended Products
K316-D PUW series

Additional Notes

- Matte White Finish
- 7L Capacity

Installation Instructions

* Counter Top Installation



*Please visit argentaust.com.au/warranty to view the full warranty

Note: All dimensions are in millimetres and are subject to normal manufacturing variations. It is recommended to use the physical product measurements for cut-outs and rough-ins as the technical details shown may differ from the actual product. Use acetic cured silicone sealant. Do not use epoxy type adhesives. Clean with damp cloth. Do not use abrasive cleaners, liquids or pastes.

