
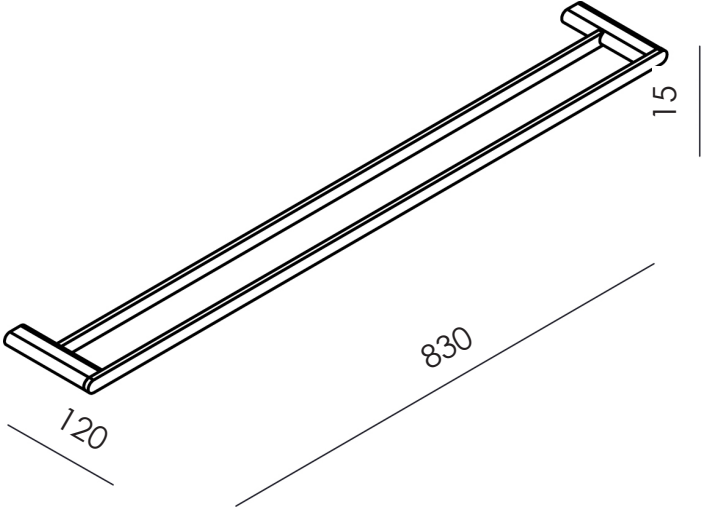




LOFT 800 DOUBLE TOWEL RAIL

Product Image	Technical Specification
	

Description
<p>LOFT 800 DOUBLE TOWEL RAIL</p> <p>AR33003</p>

Additional Information
<ul style="list-style-type: none"> • Chrome Plated • 800mm Centres • AR330TD Trouble Disc Available if required

