

**AR93686L, AR93686R, AR93686S, AR93612, AR93624, AR93624D, AR93632, AR93632D**

**INTO TIMBER:**

When fixing directly to timber, a Ø2.5mm pilot hole should be drilled.

**INTO SHEET CLADDING:**

When fixing to timber framed walls which are clad only with sheet material, we strongly advised that at least one end of the fitting be positioned over a wall stud. Fit screws supplied directly into the wall stud. If the other end does not line up with a stud, a butterfly toggle or gravity toggle (not supplied) should be used, through the sheet cladding. Your retailer can recommend a suitable type.

**INTO SHEET CLADDING WHICH HAS BEEN TILED:**

When fixing to timber framed walls which are clad with sheet material and then tiled, the plastic plugs supplied will give a satisfactory fixing. We recommend that one end of the fitting be positioned over and directly screwed to a wall stud. A Ø6mm hole is required to fit the plugs.

**SOLID WALLS:- (BRICK, MASONRY BLOCKS, CONCRETE ETC)**

When fixing to masonry walls, care should be taken to avoid drilling into mortar joints. The plastic plugs will give a satisfactory fixing. A Ø6mm hole is required to fit the plugs.

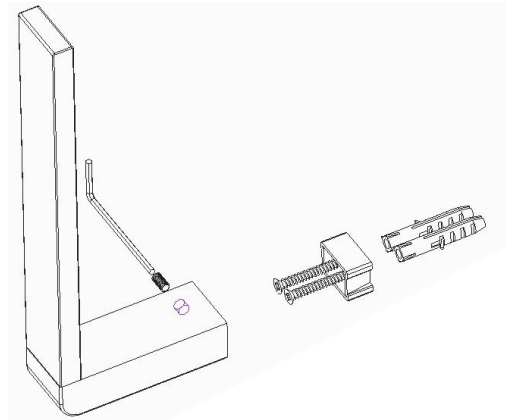
**FIXING OF ACCESSORIES TO WALLS.**

When fixing to timber framed walls which are clad with sheet material and then tiled, the plastic plugs supplied will give a satisfactory fixing. We recommend that one end of the fitting be positioned over and directly screwed to a wall stud. A Ø6mm hole is required to fit the plugs.

**IMPORTANT**

This Argent product is manufactured with pride from quality materials. The DuraBright surface finish is recommended to be cleaned with soap and warm water only and then dried with a soft cloth. The product can be damaged by chemical or abrasive cleaners. If the product is accidentally splashed with cleaning chemicals, wipe immediately.

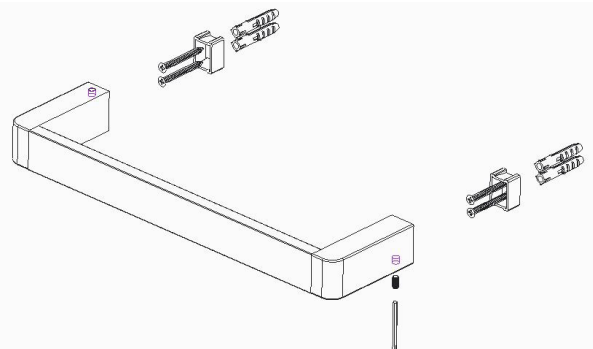
**Spare toilet roll holder**



**Toilet roll holder**



**Towel Rail**



**Double Towel Rail**

