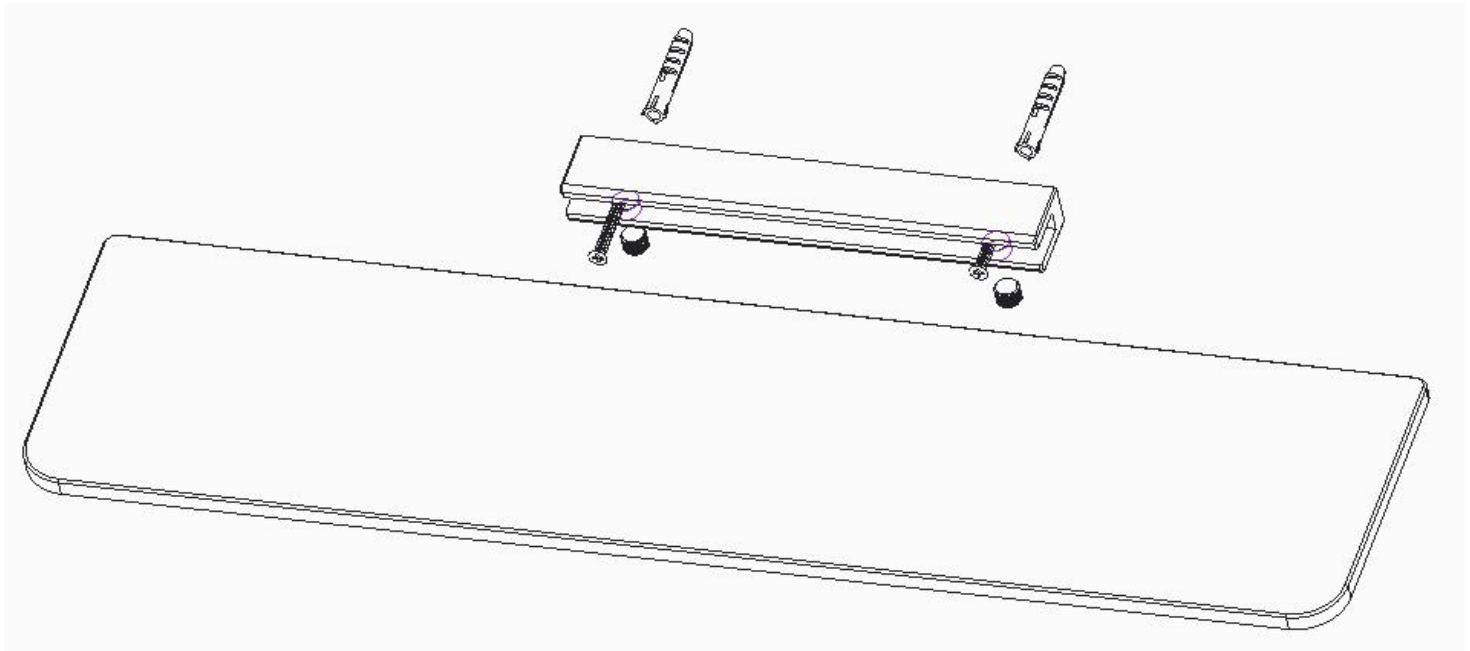


AR93687

INTO TIMBER:

When fixing directly to timber, a Ø2.5mm pilot hole should be drilled.

INTO SHEET CLADDING:

When fixing to timber framed walls which are clad only with sheet material, we strongly advised that at least one end of the fitting be positioned over a wall stud. Fit screws supplied directly into the wall stud. If the other end does not line up with a stud, a butterfly toggle or gravity toggle (not supplied) should be used, through the sheet cladding. Your retailer can recommend a suitable type.

IMPORTANT

This Argent product is manufactured with pride from quality materials. The DuraBright surface finish is recommended to be cleaned with soap and warm water only and then dried with a soft cloth. The product can be damaged by chemical or abrasive cleaners. If the product is accidentally splashed with cleaning chemicals, wipe immediately.

SOLID WALLS:-(BRICK, MASONRY BLOCKS, CONCRETE ETC)

When fixing to masonry walls, care should be taken to avoid drilling into mortar joints. The plastic plugs will give a satisfactory fixing. A Ø6mm hole is required to fit the plugs

FIXING OF ACCESSORIES TO WALLS.

When fixing to timber framed walls which are clad with sheet material and then tiled, the plastic plugs supplied will give a satisfactory fixing. We recommend that one end of the fitting be positioned over and directly screwed to a wall stud. A Ø6mm hole is required to fit the plugs.

INTO SHEET CLADDING WHICH HAS BEEN TILED:

When fixing to timber framed walls which are clad with sheet material and then tiled, the plastic plugs supplied will give a satisfactory fixing. We recommend that one end of the fitting be positioned over and directly screwed to a wall stud. A Ø6mm hole is required to fit the plugs.