



Thank you for purchasing the Ozone tap, ozone is a naturally produced substance from oxygen atoms and is combined with water to produce ozone water. Our patented technology and mixing of ozone water gives this product a unique place in the kitchen and bathroom. Ozone is three-thousand times stronger than chlorine and can disinfect effectively in a few seconds, remove bacteria, pesticides, odours, keep fruit, vegetables and meat fresher and provide ozone water for cleaning all your kitchen surfaces.

Product features

- Considerate:** Large flow volume and limitless usage.
- Eco friendly:** Natural germicide, no chemical storage required.
- Safety:** Auto shut off when ozone generator is not in a vertical position.
- Convenience:** Ozone sterilization operates when turning on the tap.
- Hi-Tech:** Exclusive water-air combination technology.
- Stylish:** Ozone generator is located under the sink or basin to ensure aesthetic looking of the tap.

Application

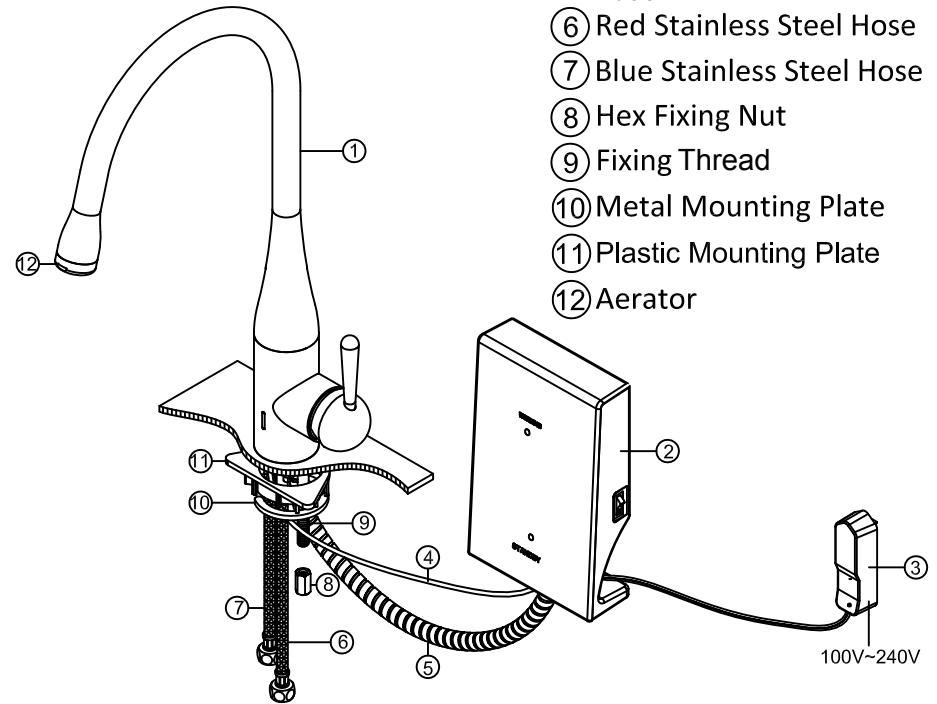
eliminate bacteria	maintain freshness	remove pesticide	reduce odours	disinfect tableware	oral hygiene care

IMPORTANT

Please take time to read these instructions and ensure that you understand them before installing or operating the product

Tools	wrench	screwdriver	clip for aerator housing
A	Parts Description		

- ① Tap Body
- ② Ozone Anti-bacterial Generator
- ③ AC Adaptor
- ④ LED Wire
- ⑤ Silicone tube in a protective hose
- ⑥ Red Stainless Steel Hose
- ⑦ Blue Stainless Steel Hose
- ⑧ Hex Fixing Nut
- ⑨ Fixing Thread
- ⑩ Metal Mounting Plate
- ⑪ Plastic Mounting Plate
- ⑫ Aerator



Tap Specification

- AROZ101B** - Kitchen Mixer
- AROZ106B** - Gooseneck Mixer

Installation Conditions: Refer AS6400
 Water pressure: 2.5 - 5 Bar
 (If Static Pressure exceeds 5 Bar, a pressure reduction valve must be fitted)
 Water temperature: Hot-Recommended 60°C max
 Note: Flow Restrictors have been fitted & supplied for installation

Ozone generator Specification

Ozone Generator	
Model	OZ-1000
Input Voltage	DC 12V
Power Consumption	6.0W(MAX)
Size(HxWxD)	186x125x42(mm)
Serial Number	see label on generator at backside

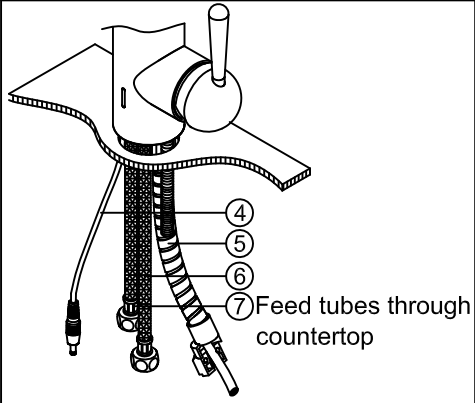
NOTICE: Warranty Will Be Invalid With Unauthorized Disassembly



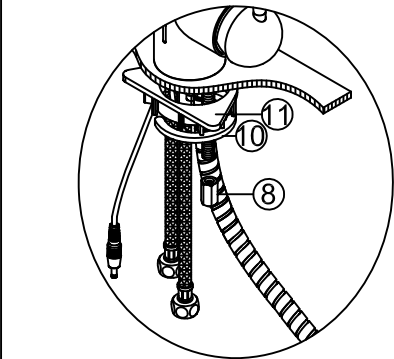
Customer Central
 Lvl 3, 18 Wandoo Street, Fortitude Valley, QLD 4006
 For Technical Advice, please call - T 1800 356 717

B Installation guide

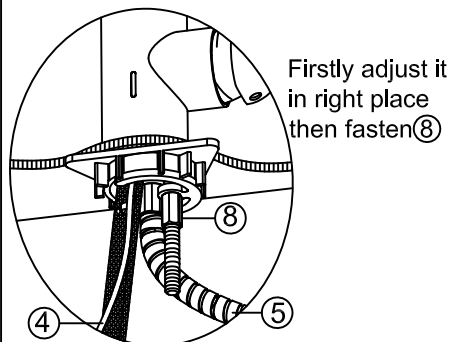
Install tap



Fix mounting plates with hex nut

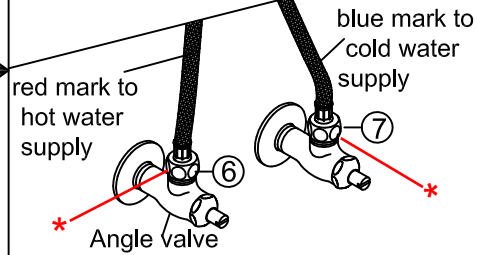


Fasten base plate

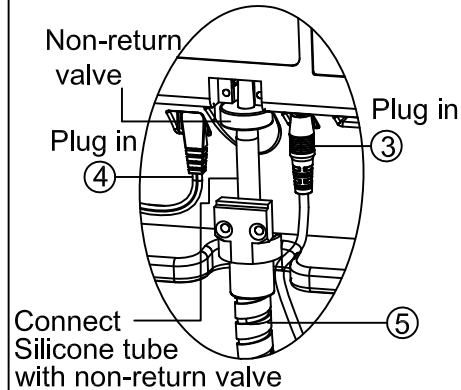


Connect SS hoses

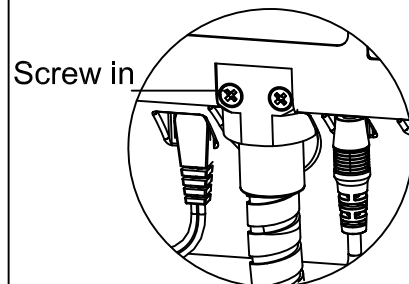
*Installation Note: Please ensure Brass Adaptors with flow controllers are fitted to water inlets



Connect ozone silicone tube from tap to ozone generator

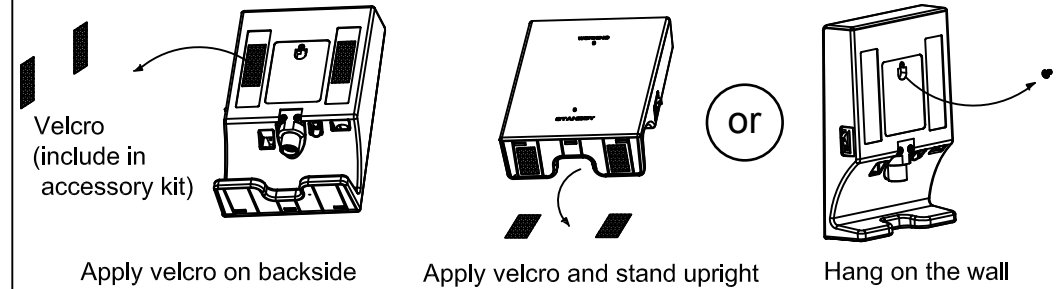


Fasten protective hose of Silicone tube



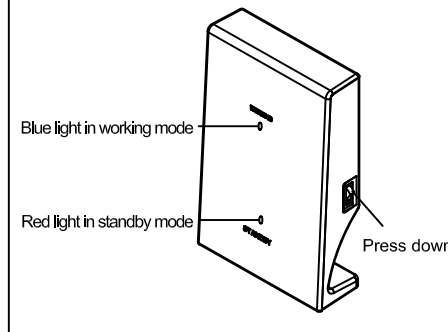
C Setting the Ozone generator

Always keep the generator standing upright, as it will auto shut off when the unit is not in a vertical position. Keep it dry to avoid damaging internal circuit board.

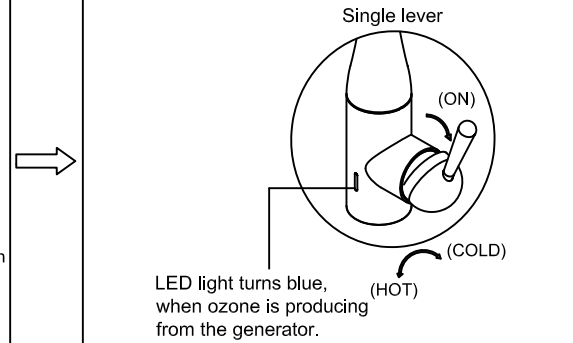


D Instruction for use

Power on Ozone Generator



Switch on Tap



E Frequently asked question

- | | |
|--|---|
| Q1: There is smell ? | A1: The ozone water will give off a clinical like smell. |
| Q2: Why is the water flow reduced? | A2: This may be due to a blockage in the aerator or incoming water pipes. |
| Q3: Is ozone harmful to the human body? | A3: The ozone concentrate in air meets the FDA regulation for the USA. |
| Q4: What is the effectiveness of eliminating bacteria? | A4: Ozone water will remove 99% of most common bacteria ie : Eschericha coli and Staphylococcus aureus. |
| Q5: Is ozone water suitable for drinking? | A5: Ozone water is not recommended as a primary source of drinking water |