

BASIN MIXERS

NOTES PRIOR TO INSTALLATION

1. INSPECT ALL PARTS PRIOR TO INSTALLATION FOR SUITABILITY AND/ OR DEFECTS
2. ANY SUSPECTED DEFECT SHOULD BE REPORTED AS SOON AS POSSIBLE
3. SHOULD ANY PRODUCT BE INSTALLED DESPITE A FAULT HAVING BEEN FOUND AND REPORTED, ARGENT WILL NOT ACCEPT LIABILITY FOR THE COST OF LABOUR TO REMOVE AND INSTALL ANY REPLACEMENT PRODUCT/S



NOTES FOR INSTALLATION

1. Please ensure pipework is clear of debris by flushing lines prior to installation.
2. We recommend hot and cold water isolation stops are used – not included in supply.



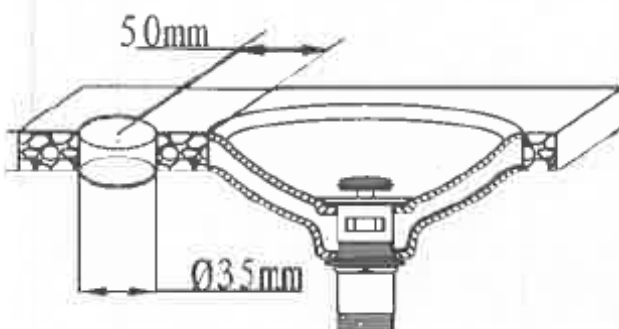
PRESSURE AND TEMPERATURE REQUIREMENTS

1. Inlet pressure range 100 – 500kpa
2. Maximum hot water temperature 60 C
3. AS/NZS 3500 requires 500 kPa maximum operating pressure at any outlet within a building
4. Hot & Cold inlets should have equalised water pressures.

Please direct any feedback for this product to Customer Central:
support@customer-central.com.au or call
1300 364 748

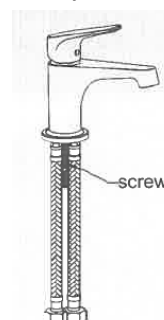
STEP 1

- Where the mixer is going into a stone or laminate top, cut a 35mm \varnothing hole.



STEP 2

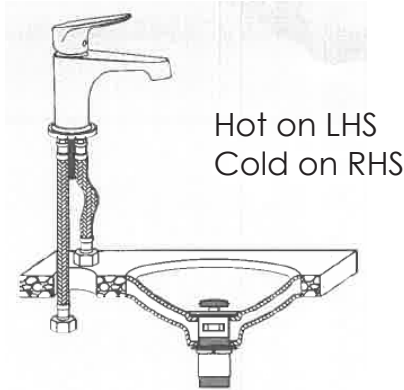
- Install the allthread screw into the bottom of the basin mixer.
- Install basin mixer sealing O ring & flange (if supplied)



BASIN MIXERS

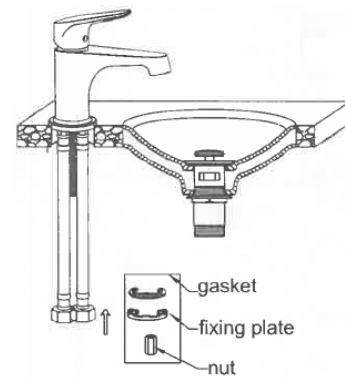
STEP 3

- Feed the two hoses through the hole in the basin or bench top and attach to the basin mixer.



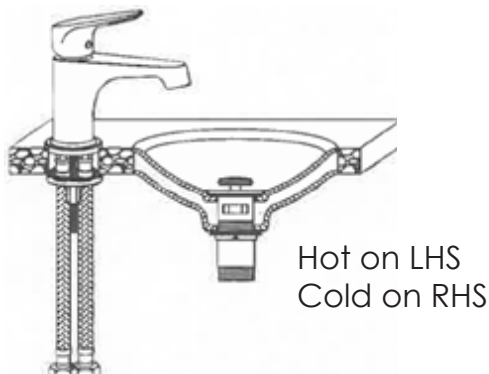
STEP 4

- Fit the rubber gasket and fixing plate into position under the basin/ bench top, fasten with the nut.



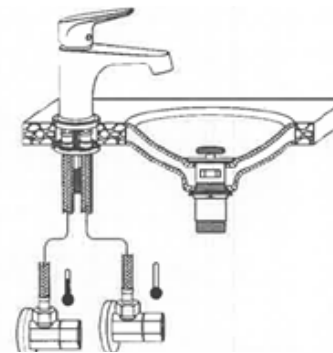
STEP 5

- Make sure the hoses are connected to the correct hot and cold water feed, and then tighten the nut.



STEP 6

- Open the stop valves (not included in supply), flush the lines, then close the mixer lever and check there are no leakages.



NOTES TO THE INSTALLER

- TWISTING OR STRECHING THE FLEXIBLE HOSES DURING INSTALLATION MAY RESULT IN FAILURE, AND WILL VOID THE WARRANTY.
- AVOID SEVERE BENDS IN THE FLEXIBLE HOSES AS THIS MAY RESULT IN FAILURE AND WILL VOID THE WARRANTY.

CLEANING AND MAINTENANCE

- THE SPECIAL CHROME FINISH ONLY REQUIRES CLEANING WITH MILD HOUSEHOLD DETERGENT AND DRY WITH A CLEAN COTTON CLOTH TO RETAIN ITS LUSTROUS SHINE.
- AVOID CLEANING WITH ABRASIVE MATERIALS OR CLEANERS