

**SR208213 METRO 650MM SHOWER RAIL SET 9LPM – 25MM Ø ADJUSTABLE RAIL**
**NOTES PRIOR TO INSTALLATION**

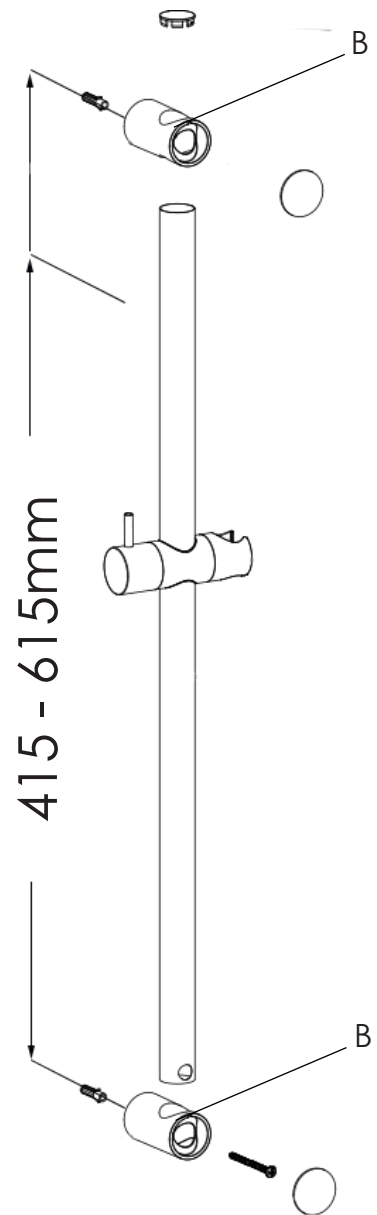
1. INSPECT ALL PARTS PRIOR TO INSTALLATION FOR SUITABILITY AND/ OR DEFECTS
2. ANY SUSPECTED DEFECT SHOULD BE REPORTED AS SOON AS POSSIBLE
3. SHOULD ANY PRODUCT BE INSTALLED DESPITE A FAULT HAVING BEEN FOUND AND REPORTED, ARGENT WILL NOT ACCEPT LIABILITY FOR THE COST OF LABOUR TO REMOVE AND INSTALL ANY REPLACEMENT PRODUCT/S

**COMPONENT CHECK LIST**

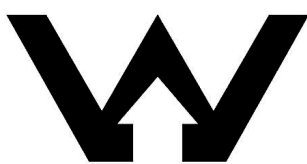
- A. 650mm 25ø adjustable rail with slide
- B. 2 x Rail wall mount brackets with removable covers
- C. Three function handpiece
- D. 1500mm gloss Silverflow Shower hose
- E. Wall union elbow
- F. Bag of Wall Plugs & Screws

**INSTALLATION**

1. Mark and drill shower rail holes as per adjustable dimensions
2. Attach top wall mount bracket with adjustable hole into the desired position
3. Slide rail with bottom fixed wall mount bracket attached into the top wall mount fitting
4. Screw bottom wall mount bracket onto the wall
5. Install wall mount bracket end caps
6. Attach wall union elbow to the supply pipe
7. Connect hose and handpiece to the rail set and wall union elbow
8. Clean any packaging or installation debris from the site



Please direct any feedback for this product to Customer Central:  
[support@customer-central.com.au](mailto:support@customer-central.com.au) or call 1300 364 748



**WMKT21163**  
**ASNZ 3662**

**IMPORTANT**

Pressure and Temperature requirements.

- Inlet pressure range 100 – 500kpa
- Maximum hot water temperature 60 C
- AS/NZS 3500 requires 500 kPa maximum operating pressure at any outlet within a building