

ARGENT SS2723101 SCOPE SOFT SQ SHOWER SYSTEM 9LPM

NOTES PRIOR TO INSTALLATION

1. INSPECT ALL PARTS PRIOR TO INSTALLATION FOR SUITABILITY AND/ OR DEFECTS
2. ANY SUSPECTED DEFECT SHOULD BE REPORTED AS SOON AS POSSIBLE
3. SHOULD ANY PRODUCT BE INSTALLED DESPITE A FAULT HAVING BEEN FOUND AND REPORTED, ARGENT WILL NOT ACCEPT LIABILITY FOR THE COST OF LABOUR TO REMOVE AND INSTALL ANY REPLACEMENT PRODUCT/S

PRESSURE AND TEMPERATURE REQUIREMENTS

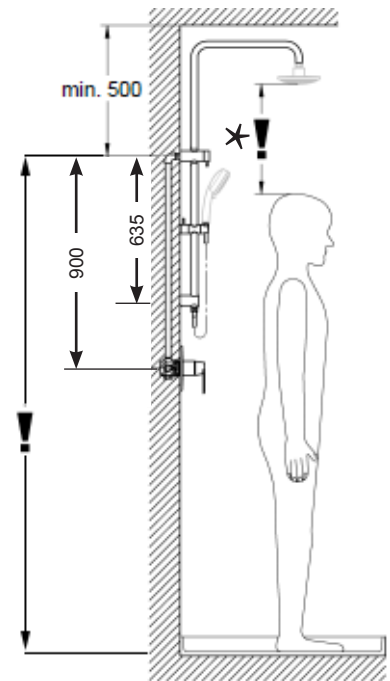
1. Inlet pressure range 100 – 500kpa
2. Maximum hot water temperature 60 C
3. AS/NZS 3500 requires 500 kPa maximum operating pressure at any outlet within a building
4. Shower is suitable for mains pressure application and is not suitable for use with low or unequal pressure.
5. Shower may not be suitable for instantaneous water heaters, tempering valve and thermostatic mixing valves.

COMPONENT CHECK LIST

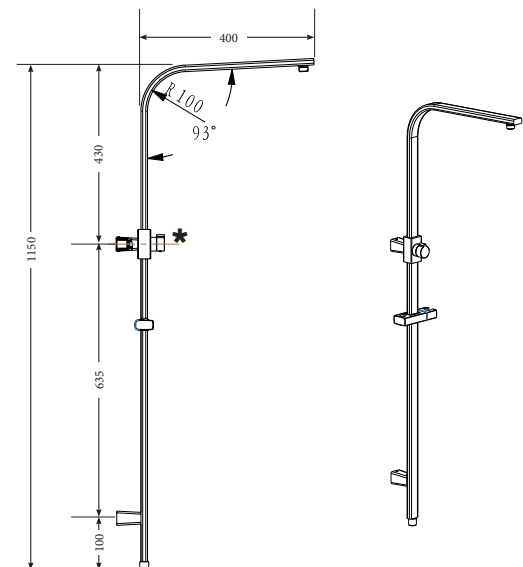
1. Shower frame with slide diverter and wall mount bracket
2. Three function handpiece & overhead shower
3. 1500mm gloss Silverflow Shower hose
4. Bag of fittings, screws and wall plugs

INSTALLATION

1. Attach shower top adaptor bracket to water entry point. Recommended water entry between 1700-1900mm off finish floor.
2. Mark and measure bottom wall bracket location, 635mm centres between fixing points
3. Secure the bottom wall mount bracket to the wall.
4. Secure the shower rail onto the wall mount brackets and fasten the grub screws.
5. Connect the handpiece, overhead shower and hose to the shower.
6. Clean any packaging or installation debris from the site.



***Water Entry Point:** Recommended installation height is between 1700-1900mm from the finished shower floor.



WMKT21163
ASNZ 3662



Please direct any feedback for this product to
Customer Central:
support@customer-central.com.au
or call 1300 364 748