

**SR200613 STUDIO 700MM SHOWER RAIL SET 9LPM – 19MM Ø RAIL**
**NOTES PRIOR TO INSTALLATION**

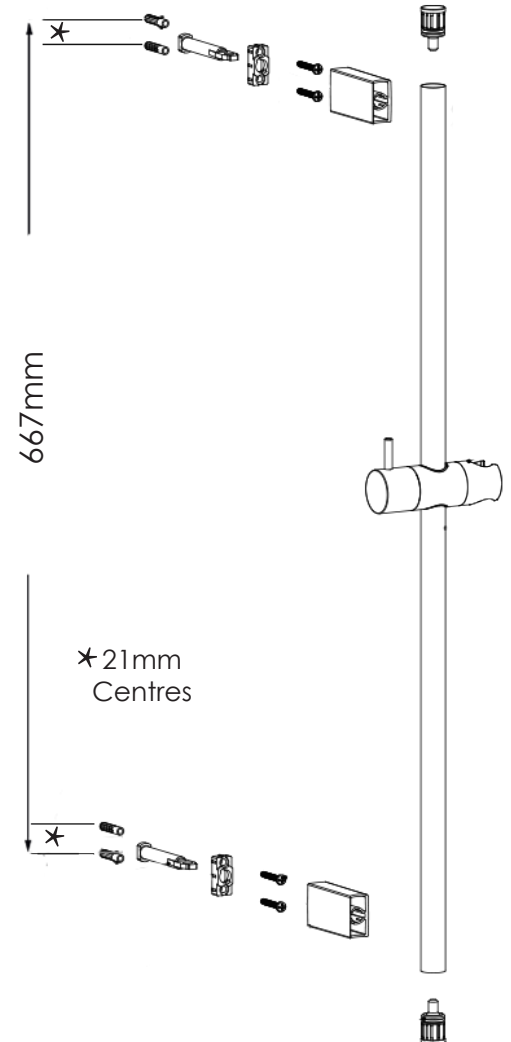
1. INSPECT ALL PARTS PRIOR TO INSTALLATION FOR SUITABILITY AND/ OR DEFECTS
2. ANY SUSPECTED DEFECT SHOULD BE REPORTED AS SOON AS POSSIBLE
3. SHOULD ANY PRODUCT BE INSTALLED DESPITE A FAULT HAVING BEEN FOUND AND REPORTED, ARGENT WILL NOT ACCEPT LIABILITY FOR THE COST OF LABOUR TO REMOVE AND INSTALL ANY REPLACEMENT PRODUCT/S

**COMPONENT CHECK LIST**

- A. 700mm 19Ø rail with slide
- B. 2 x Rail Chrome wall mount brackets
- C. 2 x Rail Chrome end plugs
- D. Three function handpiece
- E. 1500mm gloss Silverflow Shower hose
- F. Wall Union elbow
- G. Bag of screws and wall plugs

**INSTALLATION**

1. Mark and drill shower rail holes as per dimensions, 2 holes required in each bracket @ 21mm centres
2. Attach wall mount brackets into position, the inner white sleeve can be removed for ease of installation
3. Replace chrome wall mount cover if they were removed
4. Attach the rail to the wall mount brackets
5. Install the Chrome end plugs to secure the rail in place
6. Attach wall union elbow to the supply pipe
7. Connect hose and handpiece to the rail set and wall union elbow
8. Clean any packaging or installation debris from the site



Please direct any feedback for this product to Customer Central:  
[support@customer-central.com.au](mailto:support@customer-central.com.au) or call 1300 364 748


**IMPORTANT**

Pressure and Temperature requirements.

- Inlet pressure range 100 – 500kpa
- Maximum hot water temperature 60 C
- AS/NZS 3500 requires 500 kPa maximum operating pressure at any outlet within a building