

INSTALLATION TIPS

CARE + MAINTENANCE

Care must be taken to dry any spillage or leakage of water which may gain access to furniture. It is recommended that vanities are installed to avoid splashes from wet areas such as baths, spas and showers.

All polyurethane lacquer is water resistant only. To ensure the quality of finish is maintained, wipe up all spills with a clean lightly moistened cloth as soon as they occur.

To clean, use only a soft cloth with a weak solution of non-abrasive detergent. Do not expose to excessive heat e.g. from hot hair styling equipment or naked flames.

To restore accidental scratches, burns etc. on two pack polyurethane parts, rub gently with car cutting compound, car polish or household brass/silver cleaner.

WARRANTY INFORMATION

The Argent furniture warranty applies to Argent furniture only. The Argent Warranty is 5 years against manufacturing fault. Separate warranty applies for the basin, check the detail supplied with the basin.

Finishes

All finishes are warranted against chipping and flaking, excluding normal wear and tear for five (5) years from date of purchase. Fading of colour due to excessive exposure to sunlight is excluded from the warranty.

Exclusions

This warranty is for normal domestic limited use only and excludes any defect or injury caused by or resulting from misuse, abuse or neglect, accidental damage, improper installation or other alterations or modifications which affect the reliability or performance of the unit that are not attributable to faulty manufacture.

For full Warranty information visit www.argentaust.com.au



Brisbane
Level 3 / 18 Wandoo Street
Fortitude Valley QLD 4006

Sydney
80 Abercrombie Street
Chippendale NSW 2008

Melbourne
206-208 Coventry Street
South Melbourne VIC 3205

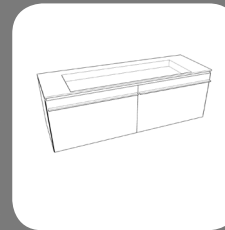
Perth
Unit 1 / 40 Collingwood Street
Osborne Park WA 6017

Technical Advice
1300 356 717

Fax
1300 656 057

www.argentaust.com.au

STORE THIS DOCUMENT



TR10SW0801 / TR10SW1401 / TR20SW0801 / TR20SW1401
Trend 800mm & 1400mm Wall Hung Furniture

INSTALLATION INSTRUCTIONS
Suit Bette Aqua & Bette Bowl Basins



PLEASE INSPECT THE FURNITURE TO ENSURE NO DAMAGE HAS OCCURED DURING TRANSIT. IF DAMAGE HAS OCCURRED, OR VISIBLE DEFECTS EXIST, DO NOT PROCEED WITH INSTALLATION AND ADVISE ARGENT IMMEDIATELY ON 1300 565 057

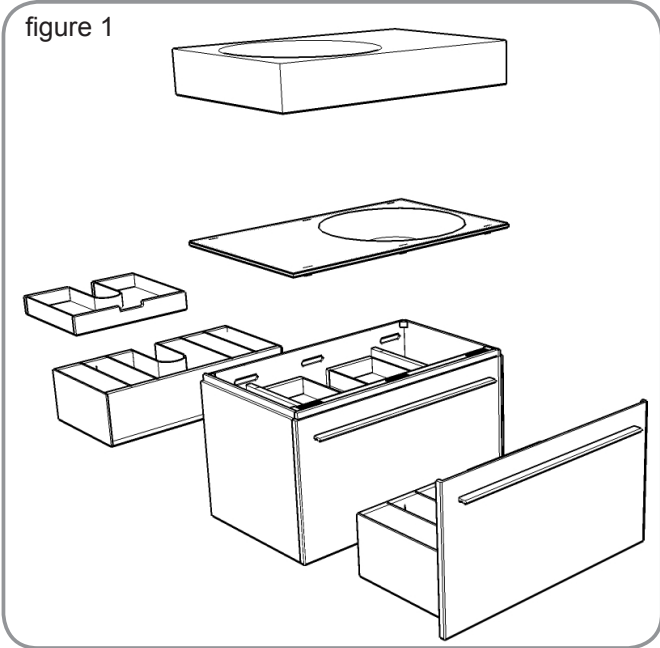
**IMPORTANT:
IT IS NECESSARY TO SECURE THE CABINET THROUGH THE BACK BOARD INTO A SOLID SUBSTRATE.
FOR CAVITY WALLS, FURNITURE AND/OR BASIN MUST BE SECURED THROUGH THE WALL INTO EITHER WALL STUDS OR NOGGINS.
FOR SOLID WALLS, SUITABLE WALL PLUGS/FIXINGS WILL NEED TO BE USED.**

PRIOR TO INSTALLATION

Please inspect the products closely for any imperfections or damage prior to installation as Argent will not be liable for the cost of installation and/ or removal of the products if damage or imperfections are reported during or after the installation. Warranty will be void in these instances.

Argent recommends a qualified trade person fit your cabinet and basin. Ensure your cabinet is installed to relevant building codes and Australian Standards.

For cavity walls: ensure support studs/ noggins are at the correct height/ alignment for both the cabinet and/ or basin installation support fixings.



DRAWER REMOVAL

You will find it easiest to remove **(figure 1)** any drawers from the cabinet, set them aside carefully. Use the spring loaded catches on either side located at the bottom of the drawer. Pull the catches out towards the edge of the drawer to release.



INSTALLATION NOTES

(LEAVE FOR END USER)

DATE PURCHASED: _____

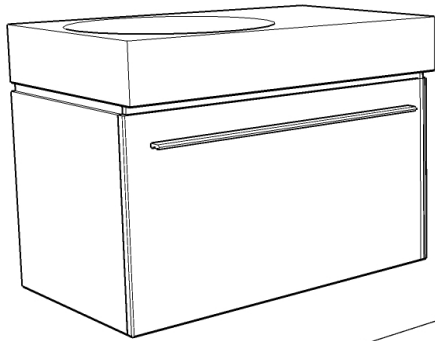
PURCHASED FROM: _____

DATE INSTALLED: _____

INSTALLER: _____

NOTES: _____

figure 9



ADJUST & FINISH

Ensure drawer is adjusted to sit square as it may have moved during transportation and or installation. There is adjustment at both the front and rear of the drawer sliders.

FRONT ADJUSTMENT (figure 10)

There is a grey slider at the front of the soft closing slider, push it back to lift the drawer up, pull it forward to drop the drawer down.

REAR ADJUSTMENT (figure 11)

Cam action is on the side of the rear of the slider, push it up to lift the drawer up, or push it down to drop the drawer lower.

SEALING THE BASIN

Apply a bead of bathroom grade silicon sealant around the back edges of the basin where the basin touches the wall.

Basin Sealing

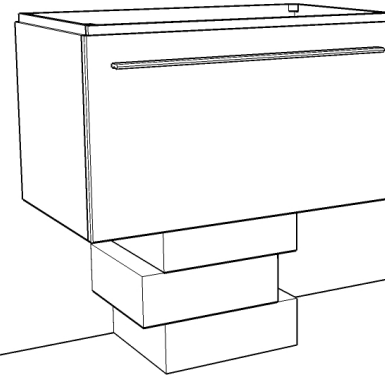
IMPORTANT:

USE ONLY bathroom grade silicon sealant

Epoxy type glues MUST NOT BE USED.

Put a bead of bathroom grade silicon sealant around the back edge of the basin and where the basin touches the wall. Do not over tighten the basin bolts to avoid damaging the basin.

figure 2



MEASURE & MARK

Use suitable supports (figure 2) to locate the cabinet at the correct height for ease of marking out fixing and plumbing access holes.

Mark and drill access holes for hot and cold water supply and waste in cabinet as required.

Mark and drill cabinet fixing locations into the wall and through the back board of the cabinet. (Wall hung basin only).

Mark and drill a minimum of 2 wall hung basin fixing locations in the wall (figure 3). A template is provided with the basin.

Place cabinet into position on the wall over the plumbing pipes in the desired position. Ensure the cabinet is true and level.

Secure the cabinet to the wall using appropriate screws through the wall into a secure substrate, ie. studs, noggins or wall plugs in a solid wall.

figure 3

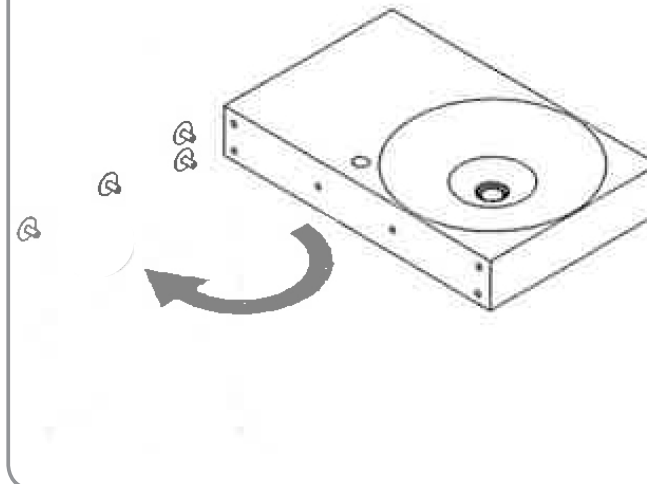


figure 10



figure 11



IMPORTANT:

INSPECT THE FURNITURE TO ENSURE NO DAMAGE HAS OCCURRED DURING TRANSIT.

IF DAMAGE HAS OCCURRED, OR VISIBLE DEFECTS EXIST, DO NOT PROCEED WITH INSTALLATION AND ADVISE ARGENT IMMEDIATELY.

figure 4

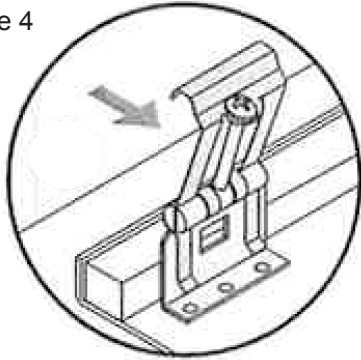


figure 5

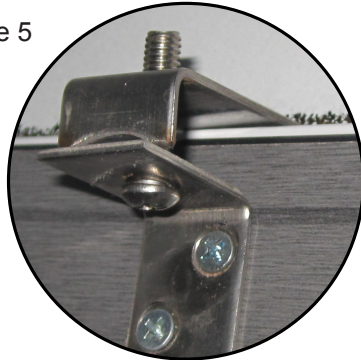
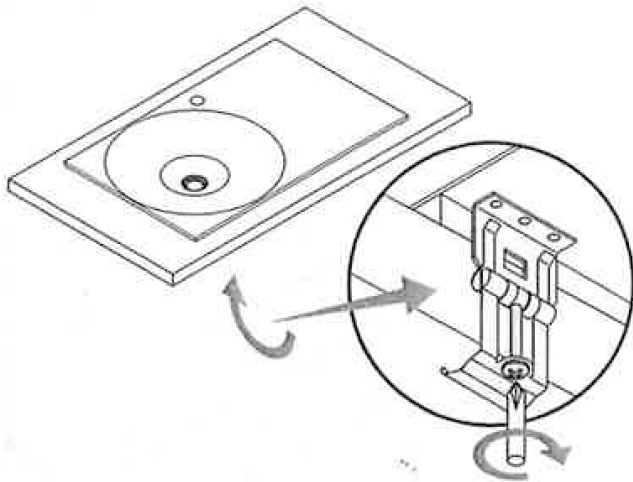


figure 6



BASIN INSTALLATION

1. Wall mounted basins should be installed with the wall mount bolts supplied.

2. All basins must be fastened to the cabinet with fastening clips.

There are 2 styles of clips used:

1. Kitchen sink style clips for 10mm low profile basins (**figure 4**).
2. Angle bracket clamping clips, used for all other basins (**figure 5**).

10MM LOW LEVEL BASIN INSTALLATION

- Once cabinet is installed, check basin for imperfections or damage prior to installing it if you have not done so already.
- Fit the clips to the basin on the basin lugs (**figure 6**).
 - **The front basin clips must face in toward the basin so they grip onto the aluminium frame and not the front facia of the cabinet. They need to be at a slight angle.**
- Rear Clips must face toward the wall so they can grip into the rebate slot in the backboards.
- Fit tapware and waste to basin now for easiest access.
- Place basin onto furniture ensuring that you guide the clips at the front through the recess in the aluminium frame.
- Tighten clips sequentially to ensure even basin tension.
- Once you are satisfied with the fit of the basin to the cabinet, replace drawer/s.
- Fit handle to external drawer.
- Fit accessory dividers into drawer where supplied.

figure 5

REAR CLIPS



figure 7

FRONT CLIPS

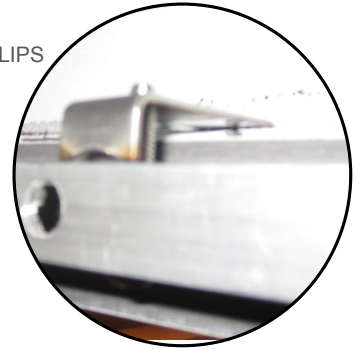
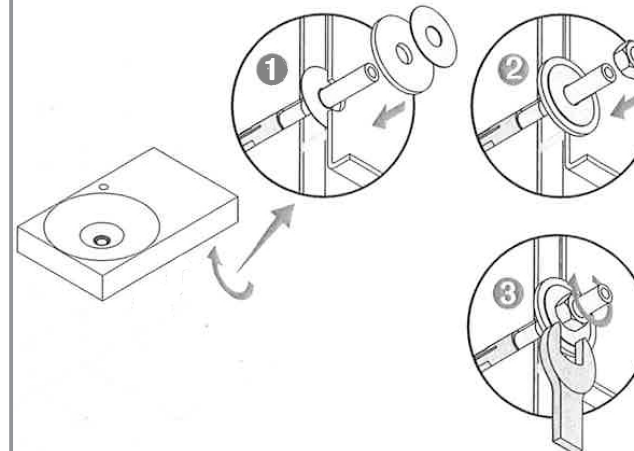


figure 8



COUNTER TOP AND WALL BASIN INSTALLATION

- Once the cabinet is installed, check basin for imperfections or damage prior to installing it if you have not done so already
- Fit tapware and waste to basin now for easiest access.
- Fit white seal where supplied around perimeter of the basin.
- Place basin onto furniture ensuring equal spacing at either end.
- Install L shaped part of fastening clips onto the angle brackets, use short screws for the back brackets (**figure 5**) and long screws for the front brackets (**figure 7**).
- The longer screws used to hold the fastening clips on the front are secured through the pre drilled holes in the aluminium frame.
- Tighten clips sequentially to ensure even basin tension.
- Install wall basin bolts through the basin into the wall
- Secure with nuts and washers supplied, make sure the nylon washers are in between basin and steel washer. (**figure 8**)
- Do not over tighten basin bolts to avoid damaging basin.
- Once you are happy with the fit of the basin to the cabinet, replace drawers.
- Fit handle onto external drawer.