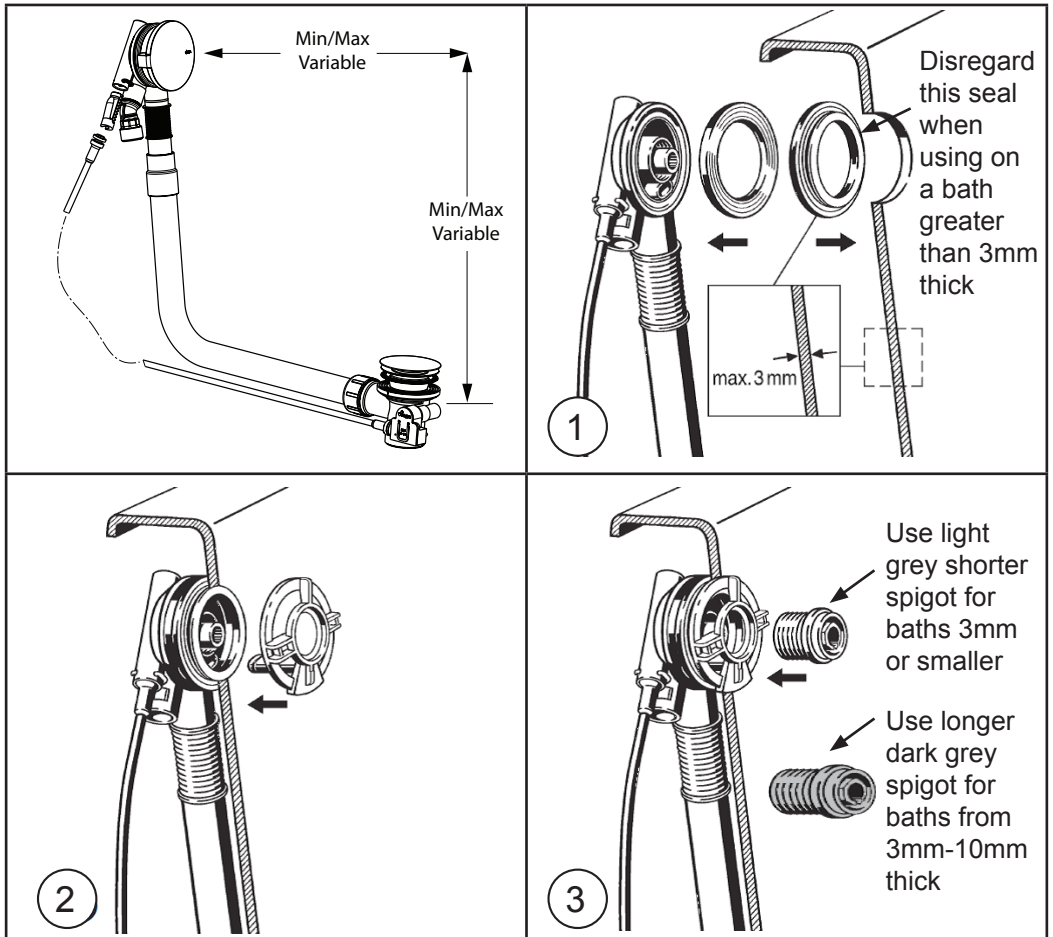


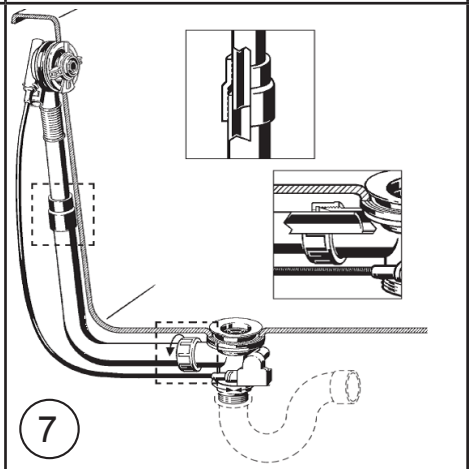
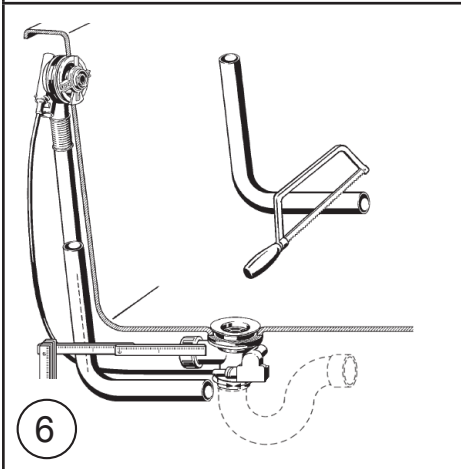
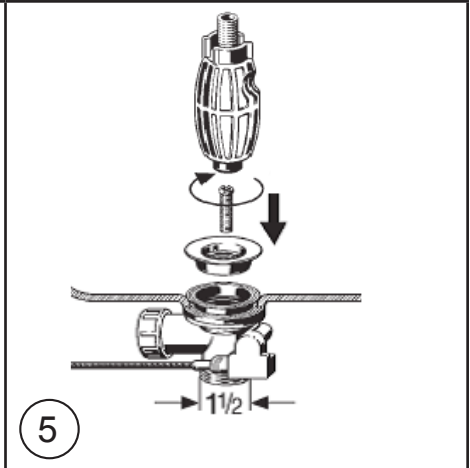
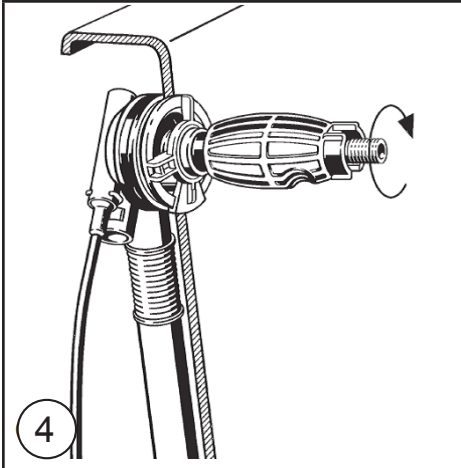
**Bath Filler & Overflow Waste**  
**Models: 723330B / 723335B**  
**Installation Instructions**

  
AS3718  
SAI Global  
WMKA21008

**Scope of Use:**

Suitable for use in Residential, Hostel, Hotel, Motel, or multi-level buildings using potable drinking water from a single source.

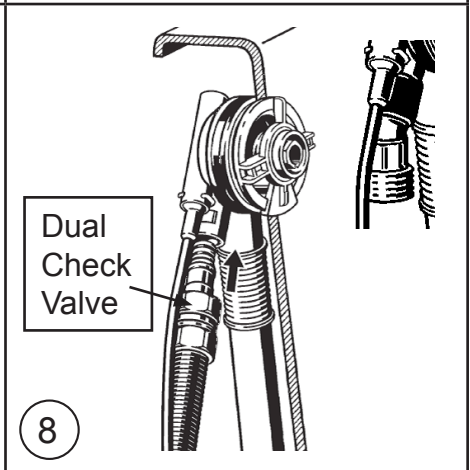


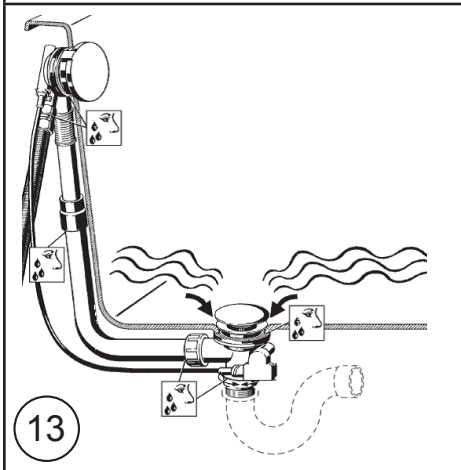
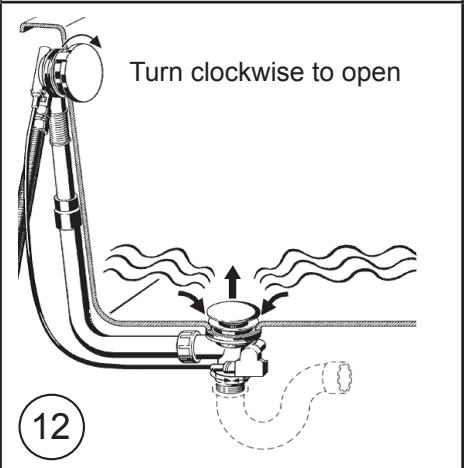
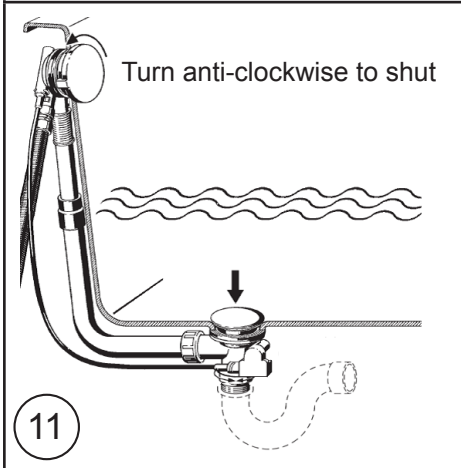
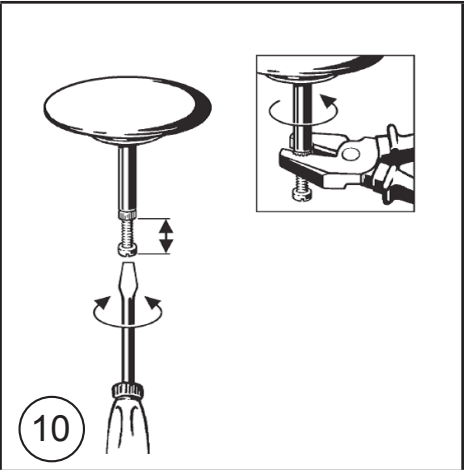
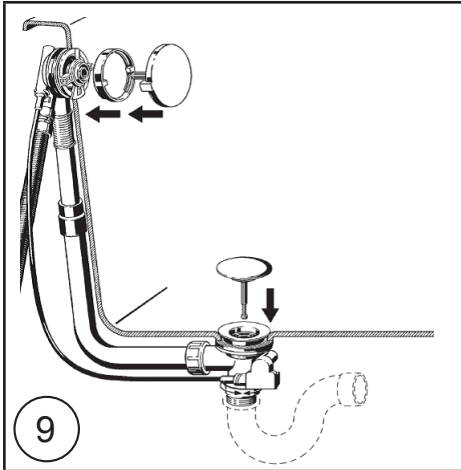


1/2" Dual Check Valve supplied must be installed to inlet connection to meet AS/NZS 3500 requirements - with liquid thread seal

**Argent**  
Villeroy & Boch Group

**W**  
AS3718  
SAI Global  
WMKT21008





### Installation Notes:

- 1) Allowance for access for future maintenance to dual check valve shall be made during installation
- 2) Check all water inlet connections under pressure, and all waste connections and seals prior to sheeting and tiling to ensure watertight structure.

## NOTES PRIOR TO INSTALLATION

1. INSPECT ALL PARTS PRIOR TO INSTALLATION FOR SUITABILITY AND/ OR DEFECTS
2. ANY SUSPECTED DEFECT SHOULD BE REPORTED AS SOON AS POSSIBLE
3. SHOULD ANY PRODUCT BE INSTALLED DESPITE A FAULT HAVING BEEN FOUND AND REPORTED, ARGENT WILL NOT ACCEPT LIABILITY FOR THE COST OF LABOUR TO REMOVE AND INSTALL ANY REPLACEMENT PRODUCT/S

## PRESSURE AND TEMPERATURE REQUIREMENTS

1. Inlet pressure range 100 – 500kpa
2. Maximum hot water temperature 60 C
3. AS/NZS 3500 requires 500 kPa maximum operating pressure at any outlet within a building
4. Hot & Cold inlets should have equalised water pressures.

For more information contact the Technical Advice Hotline on Freecall 1800 356 717