

## SHOWER SYSTEM 9LPM

### NOTES PRIOR TO INSTALLATION

1. INSPECT ALL PARTS PRIOR TO INSTALLATION FOR SUITABILITY AND/ OR DEFECTS
2. ANY SUSPECTED DEFECT SHOULD BE REPORTED AS SOON AS POSSIBLE
3. SHOULD ANY PRODUCT BE INSTALLED DESPITE A FAULT HAVING BEEN FOUND AND REPORTED, MANUFACTURER WILL NOT ACCEPT LIABILITY FOR THE COST OF LABOUR TO REMOVE AND INSTALL ANY REPLACEMENT PRODUCT/S

### IMPORTANT

1. Minimum height to ceiling from water entry point 500mm

### PRESSURE AND TEMPERATURE REQUIREMENTS

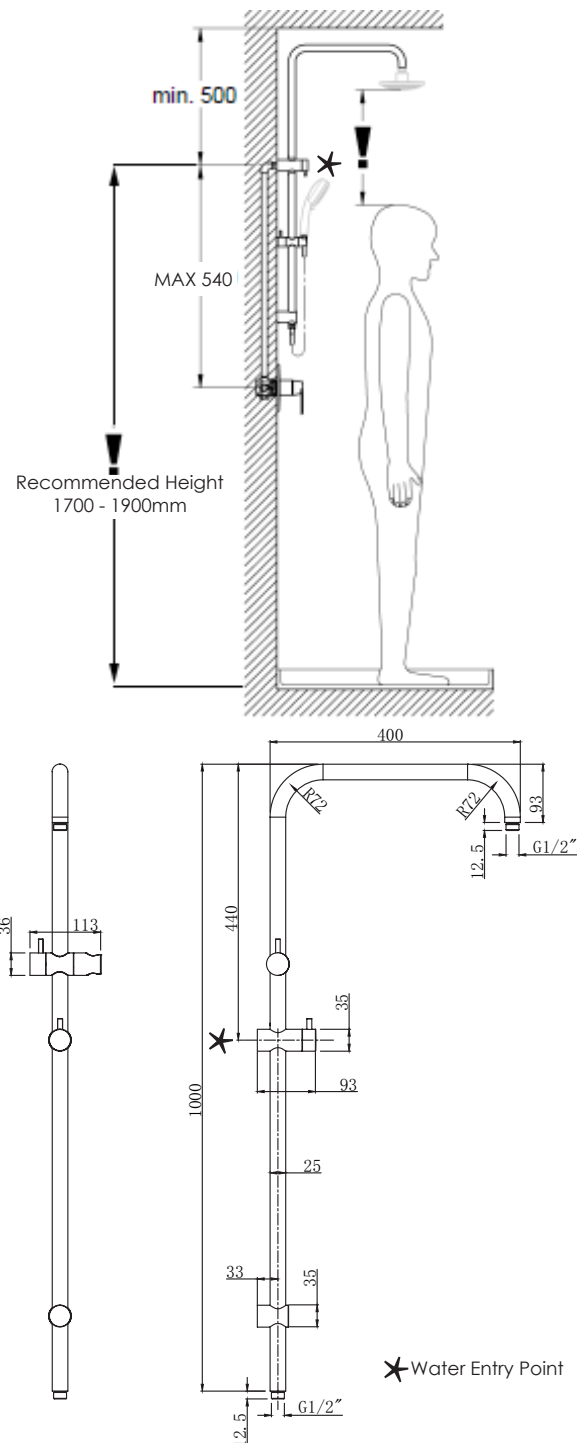
1. Inlet pressure range 100 – 500kpa
2. Maximum hot water temperature 60 C
3. AS/NZS 3500 requires 500 kPa maximum operating pressure at any outlet within a building
4. Shower is suitable for mains pressure application and is not suitable for use with low or unequal pressure.
5. Shower may not be suitable for instantaneous water heaters, tempering valve and thermostatic mixing valves.

### COMPONENT CHECK LIST

1. Shower system rail with slide and wall mount brackets
2. Handpiece
3. 1500mm gloss Silverflow Shower hose
4. Overhead Shower
5. Bag of fittings, screws and wall plugs

### INSTALLATION

1. Attach shower system top adaptor to water entry point
2. Mark and measure adjustable bottom wall bracket location
3. Secure the bottom wall mount bracket to the wall
4. Slide the shower system rail into to the wall mount brackets and over the installed adaptor, fasten the grub screws
5. Connect the overhead shower, handpiece and hose to the shower system
6. Clean any packaging or installation debris from the site



**W**  
WMKT21163  
ASNZ 3662

Please direct any feedback for this product to Customer Central:  
support@customer-central.com.au  
or call 1300 364 748