

FOR KITCHENS WITH CHARACTER



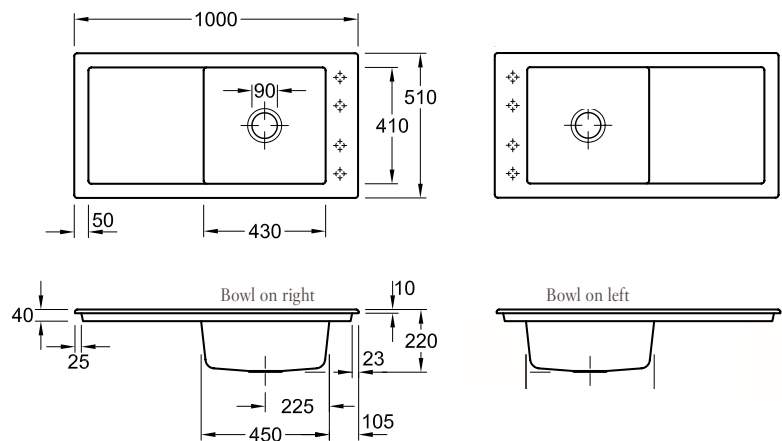
Timeline

Perfect purism:

Timeline is the most attractive proof of the practicality of clear lines and reduced forms.



TIMELINE 60



TIMELINE 60

679001R1

Built-in sink with draining board
with **ceramicplus** finish

White

1000x510mm

Features & Benefits:

- Tap hole position/s can be specified
- Reversible: Sink can be mounted with bowl on left or right side
- Sink suitable for optional water filter &/or liquid soap dispenser
- Supplied standard in **ceramicplus** easy clean finish
- Supplied standard with stainless steel basket-waste & overflow
- Suitable for use with waste disposal unit

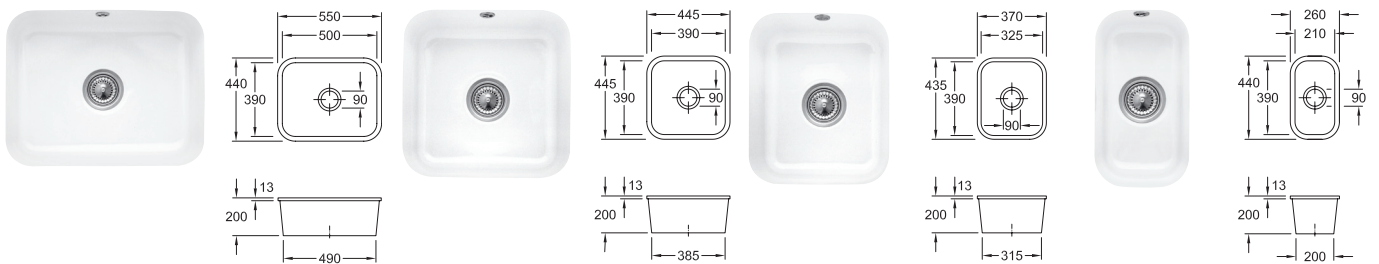
Cisterna

Practical and flexible:

Cisterna reduces the design to the absolute essentials — thereby providing plenty of scope for the individual design of your kitchen.



CISTERNA 45 & 19



CISTERNA 60C
670601R1
 Undercounter sink
 with **ceramicplus** finish
 White
 550x440mm

CISTERNA 50
670301R1
 Undercounter sink
 with **ceramicplus** finish
 White
 445x445mm

CISTERNA 45
670401R1
 Undercounter sink
 with **ceramicplus** finish
 White
 370x435mm

CISTERNA 26
670701R1
 Undercounter sink
 with **ceramicplus** finish
 White
 260x440mm

Features & Benefits:

- Supplied standard in **ceramicplus** easy clean finish
- Supplied standard with stainless steel basket-waste & overflow
- Suitable for use with waste disposal unit

Subway

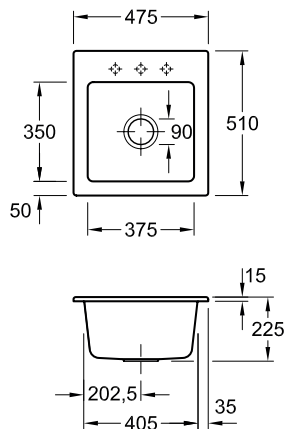
A style icon of kitchen design:

the clean, clear forms of Subway come into their own. Ideal for kitchen bar, without draining board these visually simple sinks bring functionality and design to a whole new level.

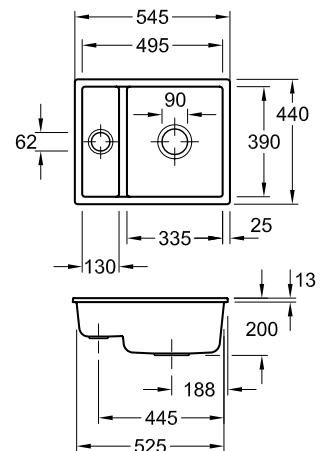


SUBWAY XS (shown in fossil grey, available white only)

SUBWAY XU



SUBWAY XS SINK
678101R1
 Built-in sink
 with **ceramicplus** finish
 White
 475x510mm



SUBWAY XU
675801R1
 Undercounter sink
 with **ceramicplus** finish
 White
 545x440x220mm

Features & Benefits:

- Taphole position/s can be specified
- Suitable for optional water filter &/or liquid soap dispenser
- Supplied standard in **ceramicplus** easy clean finish
- Supplied standard with stainless steel basket-waste & overflow
- Suitable for use with waste disposal unit

Features & Benefits:

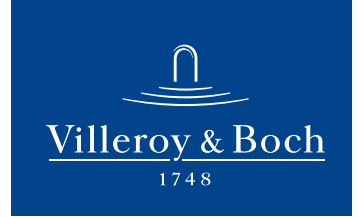
- Supplied standard in **ceramicplus** easy clean finish
- Supplied standard with stainless steel basket-waste & overflow
- Suitable for use with waste disposal unit

Installation note for undercounter sinks: actual sink/s are required for benchtop cut-out as ceramic variations may occur

Subway

Sleek and attractive:

SUBWAY is the essence of functional purism in the kitchen - and combines this with maximum practicality.



SUBWAY : Image shown is indicative of Subway models & shown with optional pop-up waste fittings

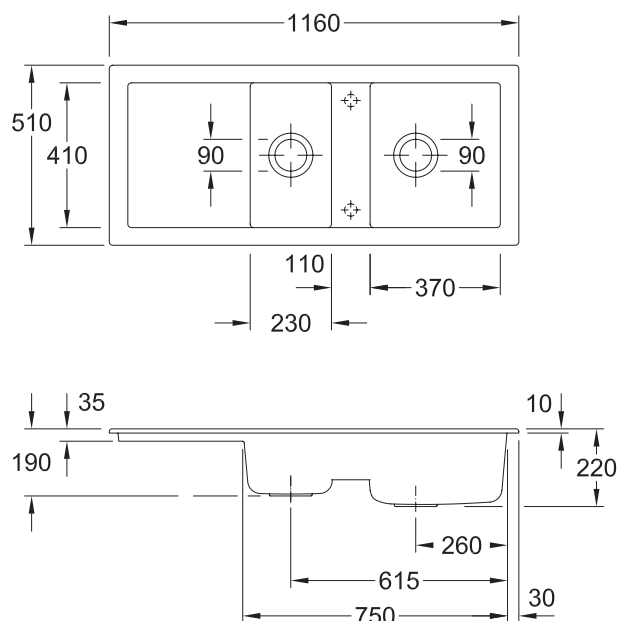


- SUBWAY 80 SINK
672601R1 White
672601i4 Graphite
672601R1SDB White with Liquid Soap Dispenser
672601i4SDB Graphite with Liquid Soap Dispenser

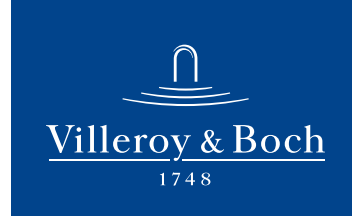
Built-in Bowl & 1/2 sink with draining board
 with **ceramicplus** finish
 1160x510mm

Features & Benefits:

- Taphole position/s can be specified
- Reversible: Sink can be mounted with bowl on left or right side
- Suitable for optional water filter & /or liquid soap dispenser
- Supplied standard in **ceramicplus** easy clean finish
- Supplied standard with stainless steel basket-waste & overflow
- Suitable for use with waste disposal unit



Metric Art



Generous & confident:

The sink as sculpture, as a statement of constancy: it is with confidence, power and extravagance that METRIC ART showcases the material ceramic. Its generous dimensions are also impressive - a powerful piece of design.



METRIC ART 90 : Image shown fitted with optional pop-up waste fittings

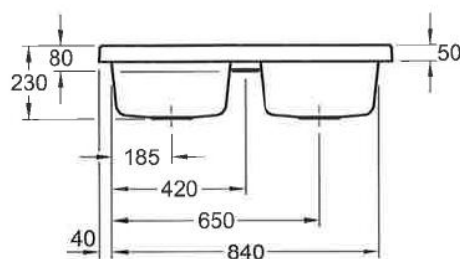
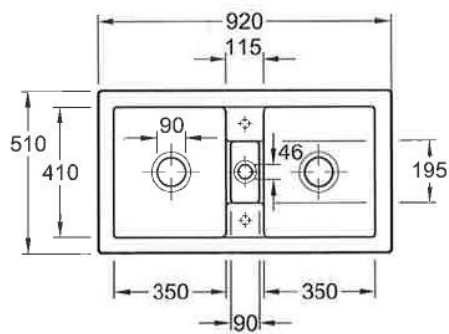


- METRIC ART 90 SINK
 679301R1 White
 679301i4 Graphite
 679301R1SDB White with Soap Dispenser
 679301i4SDB Graphite with Soap Dispenser

Built-in Double Bowl sink
 with **ceramicplus** finish
 920x510mm

Features & Benefits:

- Taphole position/s can be specified
- Sink suitable for optional water filter & /or liquid soap dispenser
- Supplied standard in **ceramicplus** easy clean finish
- Supplied standard with stainless steel basket-waste & overflow
- Suitable for use with waste disposal unit



Butler sink

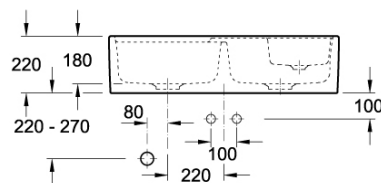
Nostalgia meets function:
the classical Butler Sink is a timelessly attractive character piece for the kitchen - and it meets today's requirements in full.



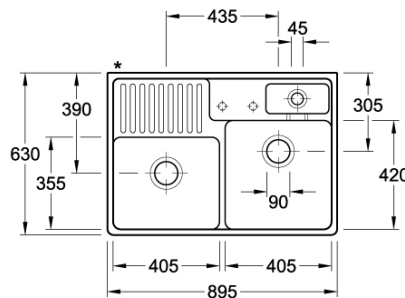
BUTLER SINK

(Note: Butler Sink has an unglazed back)

BUTLER SINK
with Pearl Décor



BUTLER DOUBLE BOWL SINK
632391R1
Built-in sink
with **ceramicplus** finish
White
895x630x220mm



BUTLER DOUBLE BOWL SINK
632391KT
Built-in sink
with **ceramicplus** finish
White Pearl Décor Finish*
895x630x220mm
*Special order item

Features & Benefits:

- Taphole position/s can be specified
- Suitable for optional water filter or liquid soap dispenser
- Supplied standard in **ceramicplus** easy clean finish
- Supplied standard with stainless steel basket-waste & overflow
- Includes clear strainer bowl insert
- Suitable for use with waste disposal unit

Ceramics - a very special material



Hygiene:
will not take on
flavours or smells



Durability:
shock &
scratch-proof



Care:
easy to clean



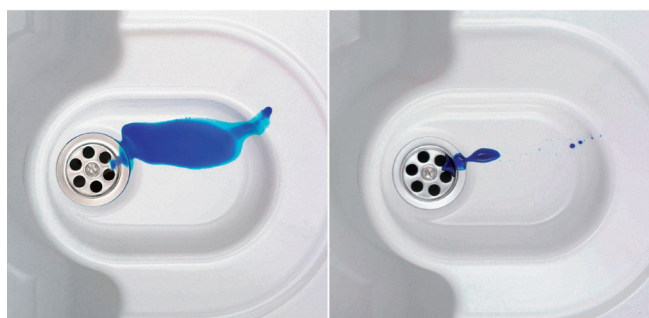
Robustness:
resistant to
extreme
temperatures



All sinks have the innovative surface finish.

The benefits for you:

- Quick and easy cleaning
- Reduced need for cleaning agents
- Water use is reduced



Conventional ceramics

ceramicplus

All Villeroy & Boch ceramics are covered by a 5 year warranty (Conditions Apply)

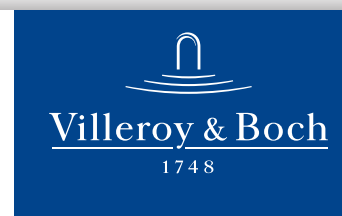
VILLEROY & BOCH AG

Unternehmensbereich Bad und Wellness

Postfach 1230 · 66689 Mettlach · GERMANY

Telefon +49 68 64 81-1500 · Fax +49 68 64 81-1484

verkauf@villeroy-boch.com



WWW.VILLEROY-BOCH.COM



Argent Australia Pty Ltd
Technical Advice Hotline 1800 356 717
Email: ac@argentaust.com.au

Argent Central
Ph: 1300 364 748
Fx: 1300 656 057

Melbourne
Ph: 03 9250 1600
Fx: 03 9250 1699

Sydney
Ph: 02 8394 5800
Fx: 02 8394 5888

Brisbane
Ph: 07 3252 6101
Fx: 1300 656 057

Perth
Ph: 08 9445 0500
Fx: 08 9445 0510

www.argentaust.com.au