

# ColourChoice Shower Mixer Body Installation Instructions

## Notes prior to installation

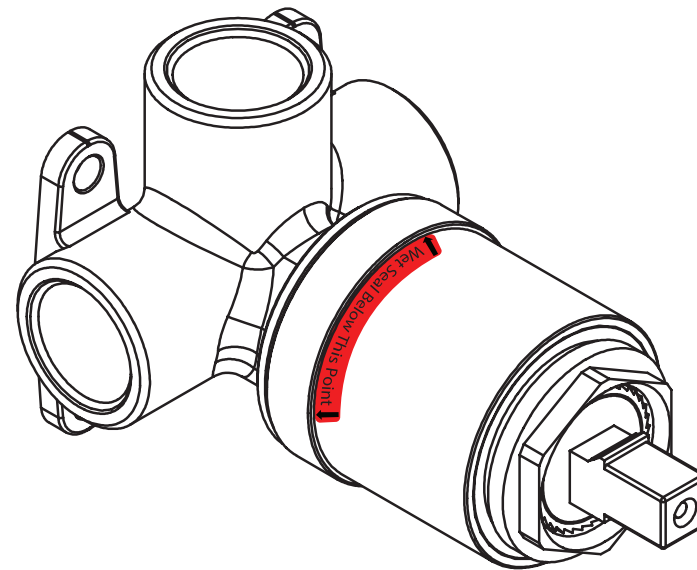
1. Inspect all parts prior to installation for suitability and / or defects.
2. Any suspected defect should be reported as soon as possible.
3. Should any product be installed despite a fault having been found and reported, Argent will not accept liability for the cost of labour to remove and install any replacement product/s.
4. This product complies with the requirements of Lead-Free standards as defined in the National Construction Code Volume 3 and is suitable for use as part of Lead-Free installation.

## Notes for installation

1. Please ensure pipework is clear of debris by flushing lines prior to installation.
2. In-wall body & Trim kits are supplied in separate boxes.
3. Waterproofing and sealant materials used to seal the wall penetration must be below the Wet Seal warning label. **Wet Seal Below This Point**

## Pressure and temperature requirements

1. Inlet pressure range: 100 - 500 Kpa.
2. Maximum hot water temperature: 60°C.
3. AS/NZS 3500 requires 500 kPa maximum operating pressure at any outlet within a building.
4. Hot & cold inlets should have equalised water pressures.



**WVLF**

WMKA1351  
AS 3718  
SAI GLOBAL

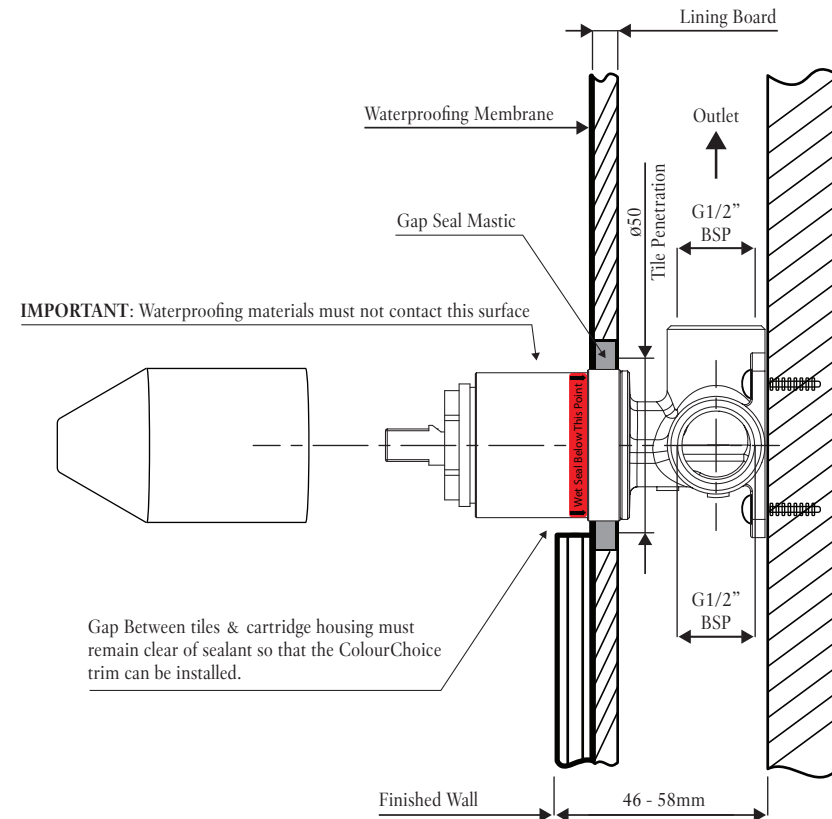
# ColourChoice Shower Mixer Body Installation Instructions

## Installation instructions:

1. Based on the wall type, either secure the body to the noggins or embed it into the wall at an appropriate height for the user application.
2. Ensure the body is installed level, when facing the mixer, the connections should be as follows:
  - a. Hot water inlet 'H' to the left.
  - b. Cold water inlet 'C' to the right.
  - c. Mix water outlet vertically upwards.
3. Installation depth of body: Max. 58mm - Min. 46mm. (to finished wall)
4. Remove the plastic tiling cover and test all connections for water fastness with the mixer in both open and shut positions, replace the plastic tiling cover.
5. Body can be pressure tested to 1600 Kpa for up to 30mins with the cartridge in the shut position. The cartridge can be opened briefly to allow the mixed water outlet to be filled.
6. Sheet around the mixer body with fibre cement sheeting, approved bathroom lining board or backfill the exposed channels ready for tiling as close to the plastic tiling cover as possible.
7. Use approved Wet Seal membrane after applying suitable gap seal mastic and ensuring it is applied below the Wet Seal indicator line on the body.
8. **Wet Seal Below This Point** IMPORTANT: No Wet Seal or sealant required above the Wet Seal line indicator.
9. Ensure tiles are cut as close to the plastic tiling cover as possible but the gap should not exceed 4mm.

## Trim set installation:

1. Remove the plastic tiling cover and install the plate, removable sleeve, cartridge dome and lever (Supplied in separate box to the in-wall body box).



Please direct any feedback for this product to Customer Central:  
[support@customer-central.com.au](mailto:support@customer-central.com.au) or call 1300 364 748