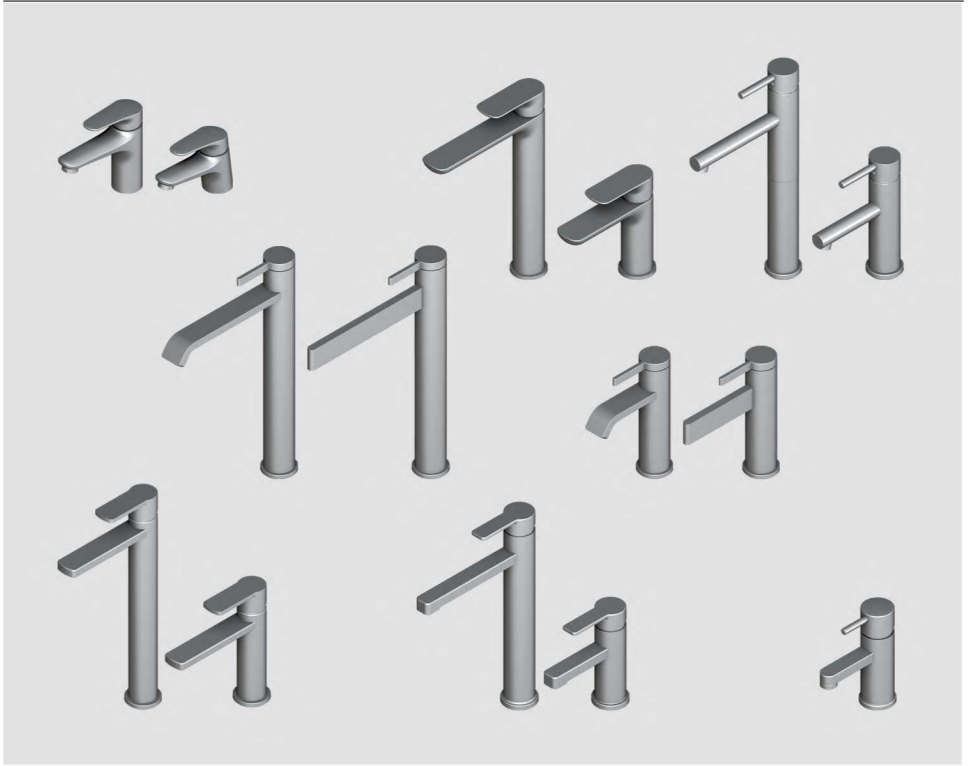


Basin Mixer



DE Montageanleitung

EN Installation Instructions

ES Instrucciones de montaje

FR Instructions de montage







IT Istruzioni di montaggio

NL Montage-instructie

PL Instrukcja montażu

ZH 装配说明

	TVW10514350061	O.novo Start Single-lever basin mixer without pop-up waste
	TVW10510350061	O.novo Start Single-lever basin mixer without pop-up waste
	TVW10410350061	O.novo Single-lever basin mixer without pop-up waste
	TVW10410650061	O.novo Single-lever basin mixer with raised base without pop-up waste
	TVW11910350061	Architectura Pin Single-lever basin mixer without pop-up waste
	TVW11910650061	Architectura Pin Single-lever basin mixer with raised base without pop-up waste
	TVW10610350161	Dawn Single-lever basin mixer without pop-up waste
	TVW10610650161	Dawn Single-lever basin mixer with raised base without pop-up waste
	TVW10610350261	Dawn Single-lever basin mixer without pop-up waste

	TVW10610650261	Dawn Single-lever basin mixer with raised base without pop-up waste
	TVW12010350061	Pura Single-lever basin mixer without pop-up waste
	TVW12010650061	Pura Single-lever basin mixer with raised base without pop-up waste
	TVW10310350061	Architectura Single-lever basin mixer without pop-up waste
	TVW10310650061	Architectura Single-lever basin mixer with raised base without pop-up waste
	TVW12110350061	O.Novo Project Single-lever basin mixer without pop-up waste

Notes prior to installation

1. Inspect all parts prior to installation for suitability and/or defects.
2. Any suspected defect should be reported as soon as possible.
3. Should any product be installed despite a fault having been found and reported, Argent will not accept liability for the cost of labour to remove and install any replacement product/s.



Notes for installation

1. Please ensure pipework is clear of debris by flushing lines prior to installation.
2. We recommend hot and cold water isolation stops are used – not included in supply.

Pressure and temperature requirements

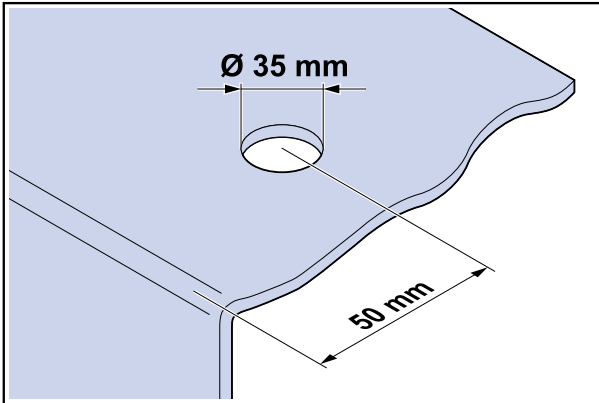
1. Inlet pressure range: 100 - 500 kPa
2. Maximum hot water temperature: 60 °C
3. AS/NZS 3500 requires 500 kPa maximum operating pressure at any outlet within a building.
4. Hot & cold inlets should have equalised water pressures.

Notes to the installer

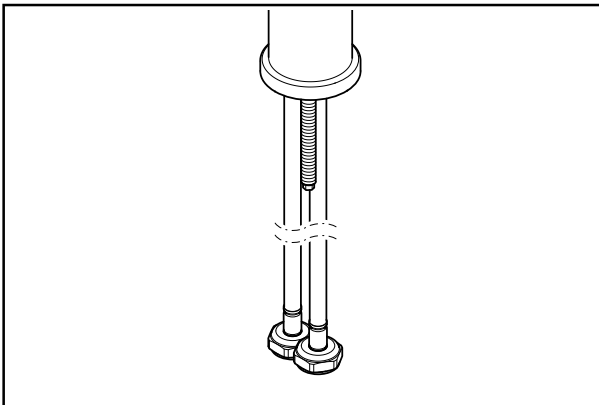
- Twisting or stretching the flexible hoses during installation may result in failure, and will void the warranty.
- Avoid severe bends in the flexible hoses as this may result in failure and will void the warranty.

Cleaning and maintenance

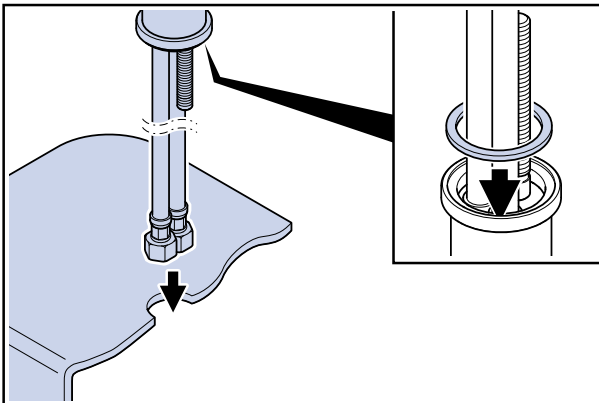
- The special chrome finish only requires cleaning with mild household detergent and drying with a clean cotton cloth to retain its lustrous shine.
- Avoid cleaning with abrasive materials or cleaners.



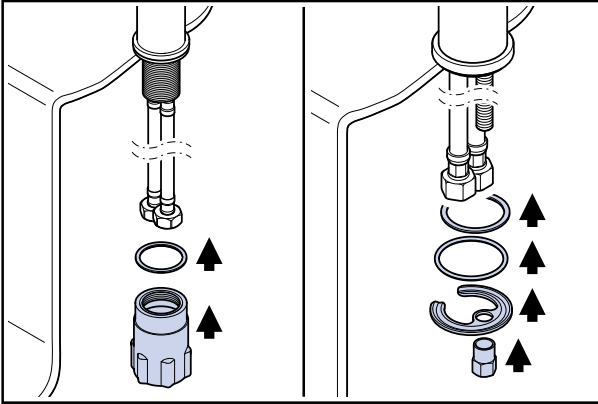
Where the mixer is going into a stone or laminate top, cut a 35mm Ø hole.



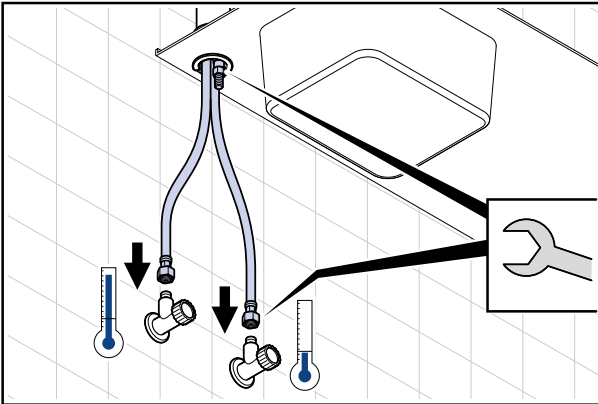
Install the allthread screw into the bottom of the basin mixer.
Install basin mixer sealing O ring & flange (if supplied)



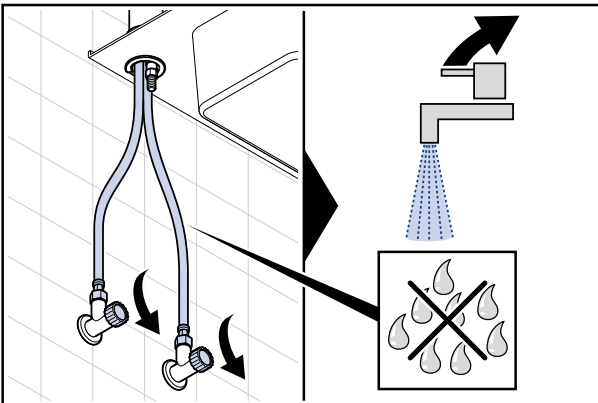
Feed the two hoses through the hole in the basin or bench top and attach to the basin mixer.



Fit the rubber gasket and fixing plate into position under the basin / bench top, fasten with the nut.



Make sure the hoses are connected to the correct hot and cold water feed and then tighten the nut.



Open stop valves (not included in supply), flush the lines, then close the mixer lever and check there are no leakages.

