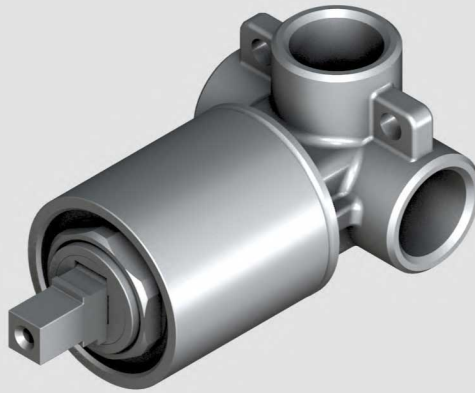


Universal valve 1-function



DE Montageanleitung

EN Installation Instructions

ES Instrucciones de montaje

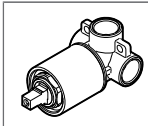
FR Instructions de montage

IT Istruzioni di montaggio

NL Montage-instructie

PL Instrukcja montażu

ZH 装配说明



TVS00036150061

Universal valve 1-function

Notes prior to installation

1. Inspect all parts prior to installation for suitability and/or defects.
2. Any suspected defect should be reported as soon as possible.
3. Should any product be installed despite a fault having been found and reported, Argent will not accept liability for the cost of labour to remove and install any replacement product/s.



Notes for installation

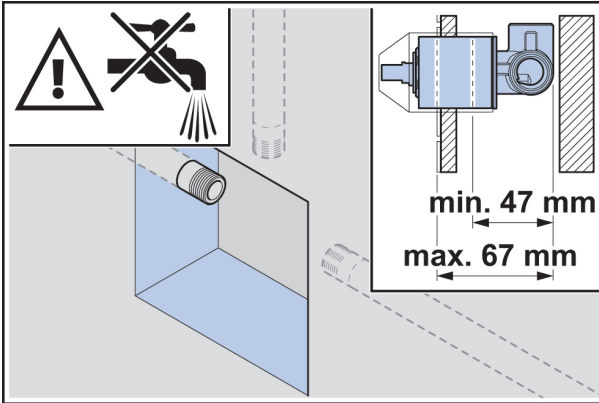
1. Please ensure pipework is clear of debris by flushing lines prior to installation.

Pressure and temperature requirements

1. Inlet pressure range: 100 - 500 kPa
2. Maximum hot water temperature: 60 °C
3. AS/NZS 3500 requires 500 kPa maximum operating pressure at any outlet within a building.
4. Hot & cold inlets should have equalised water pressures.

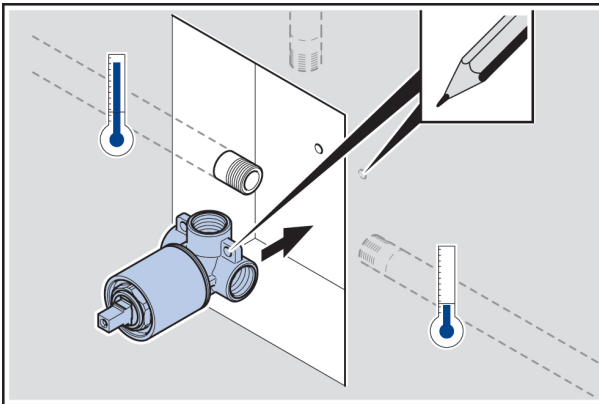
Cleaning and maintenance

- The special chrome finish only requires cleaning with mild household detergent and drying with a clean cotton cloth to retain its lustrous shine.
- Avoid cleaning with abrasive materials or cleaners.

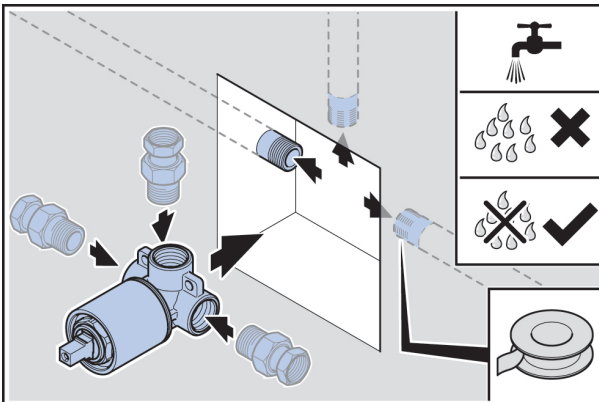


Based on the size of the body and the wall type, either secure it to the noggins or embed it into the wall at an approximate height of 1100 mm.

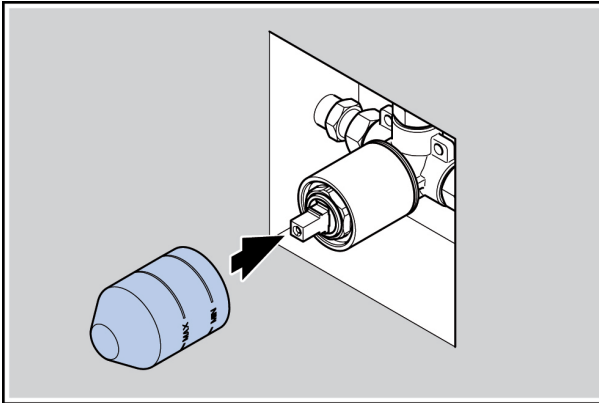
Installation depth of body
max. 67 mm, min. 47 mm.



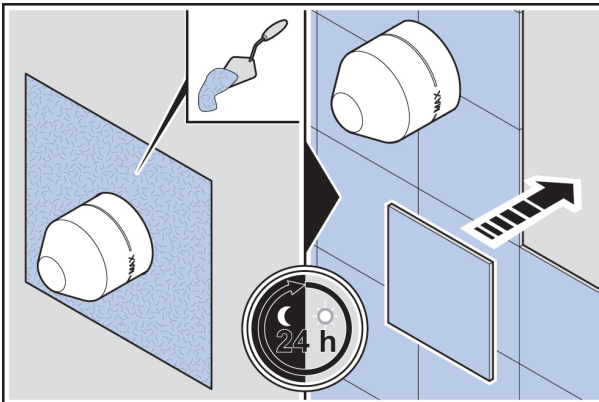
Ensure that body is installed level, plumb and square.



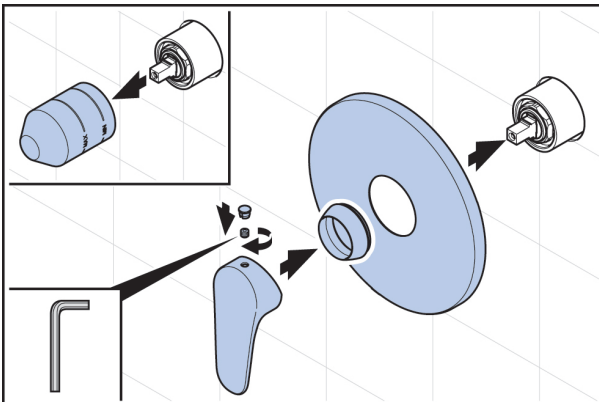
Connect the hot (LHS) and the cold (RHS) supply and the mixed water pipe using applicable sealing practices. Remove the plastic tiling template and test for water security with the mixer in both open and shut positions, replace the template.



Either sheet around the mixer body with fibre cement sheeting or backfill the exposed channels ready for tiling.



Ensure tiles are cut as close to the plastic template covering the mixer dome as possible: remove the plastic template after the tiling is complete.



Install the trim cover plate over the dome.
Install the lever securing it with the grub screw provided.

