

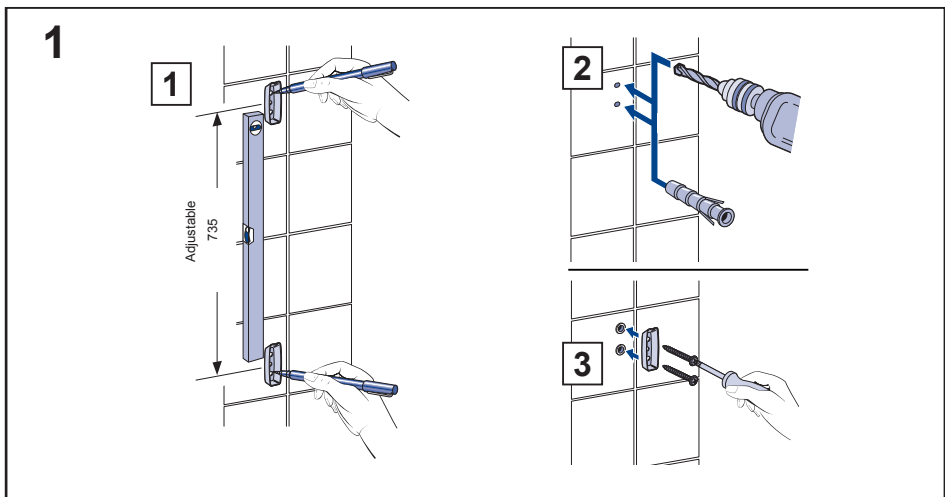
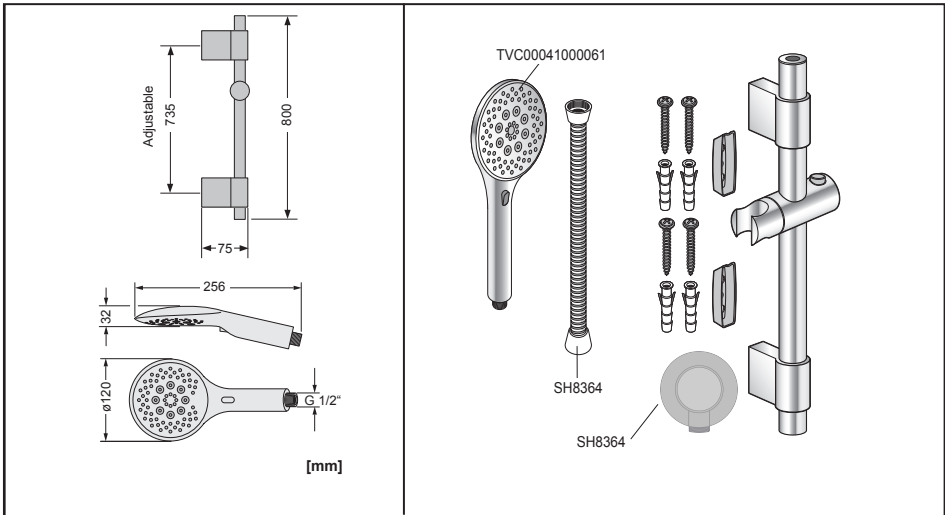


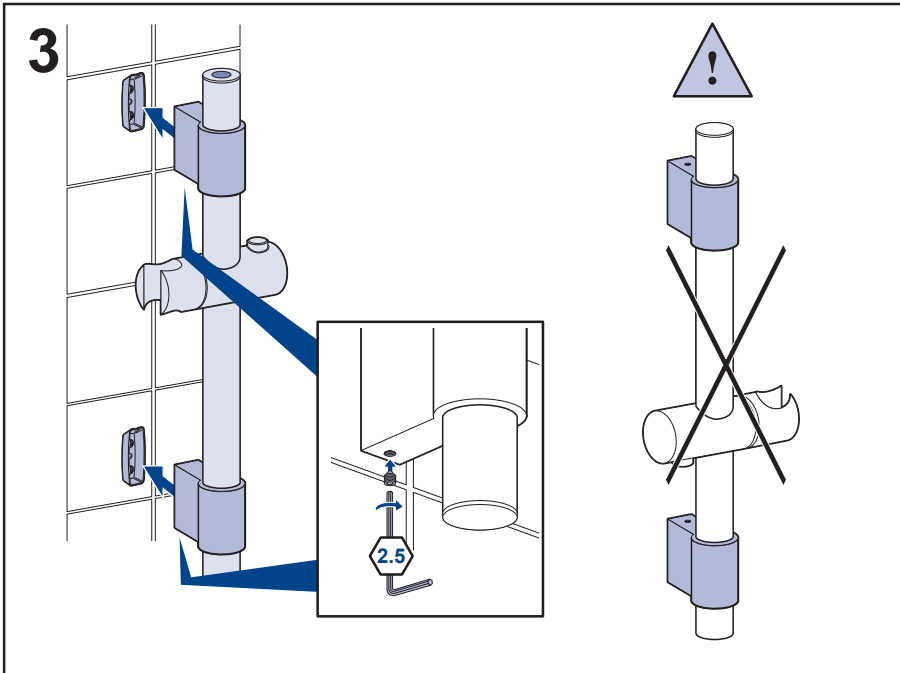
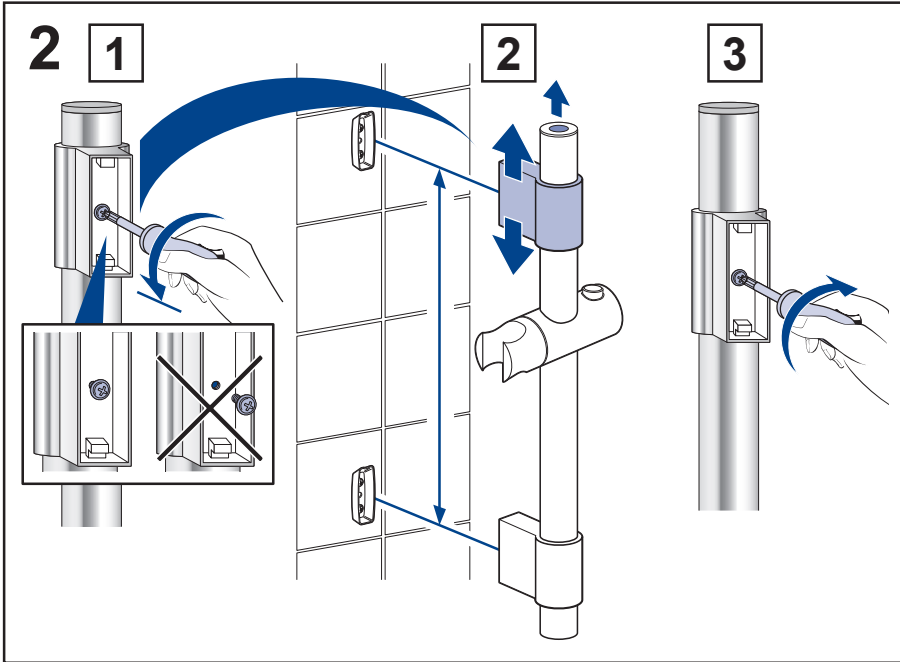
# SHOWER SET

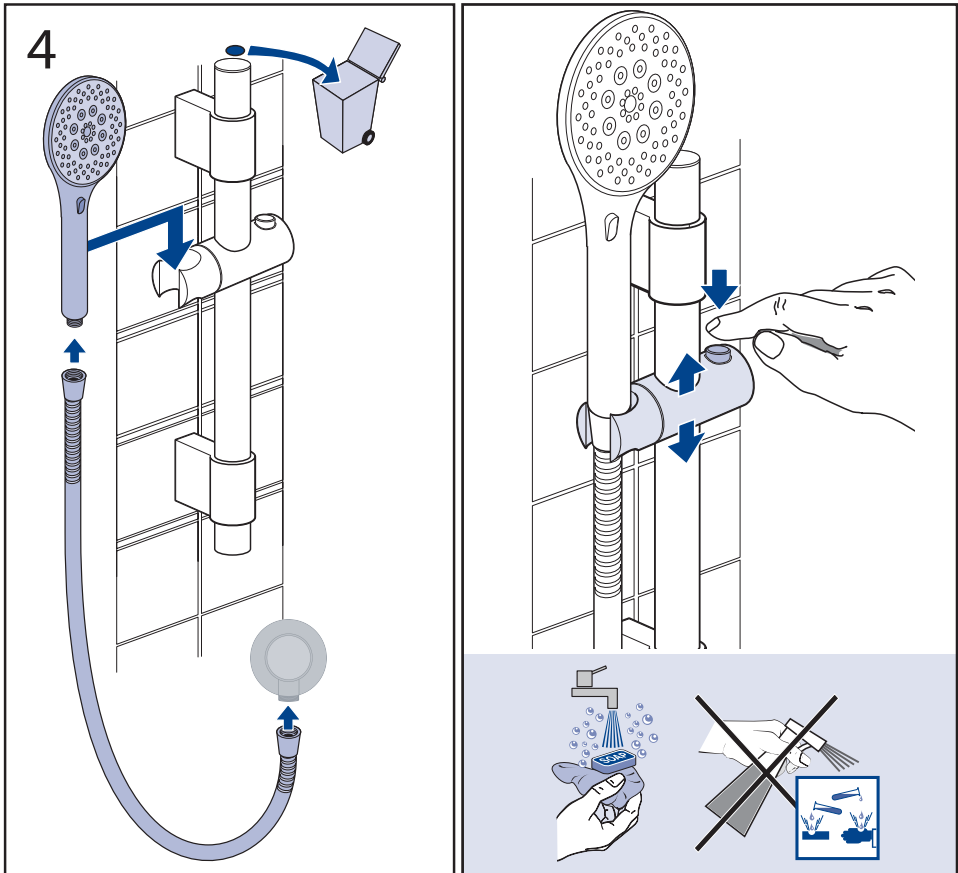
- D** Montageanleitung
- GB** Installation instructions
- FR** Instructions de montage
- ES** Instrucciones de instalación

## NOTES PRIOR TO INSTALLATION

1. INSPECT ALL PARTS PRIOR TO INSTALLATION FOR SUITABILITY AND/ OR DEFECTS
2. ANY SUSPECTED DEFECT SHOULD BE REPORTED AS SOON AS POSSIBLE
3. SHOULD ANY PRODUCT BE INSTALLED DESPITE A FAULT HAVING BEEN FOUND AND REPORTED, ARGENT WILL NOT ACCEPT LIABILITY FOR THE COST OF LABOUR TO REMOVE AND INSTALL ANY REPLACEMENT PRODUCT/S







Please direct any feedback for this product to Customer Central:

[Support@customer-central.com.au](mailto:Support@customer-central.com.au) or call 1300 364 748



WMKT21163  
ASNZ3662

#### IMPORTANT

1. Inlet pressure range 100 – 500kpa
2. Maximum hot water temperature 60 C
3. AS/NZS 3500 specifies 500kpa maximum water supply pressure at any outlet within a building
4. Shower is suitable for mains pressure application and is not suitable for use with low or unequal pressure.
5. Shower may not be suitable for instantaneous water heaters, tempering valve and thermostatic mixing valves



[www.argentaust.com.au](http://www.argentaust.com.au)



**Villeroy & Boch**

1748

Villeroy & Boch AG  
Postfach 12 30 - 66689 Mettlach, Germany  
Tel: +49 (0) 6864 816000  
[www.villeroy-boch.com](http://www.villeroy-boch.com)

The manufacturer reserves the right to make alterations without notice