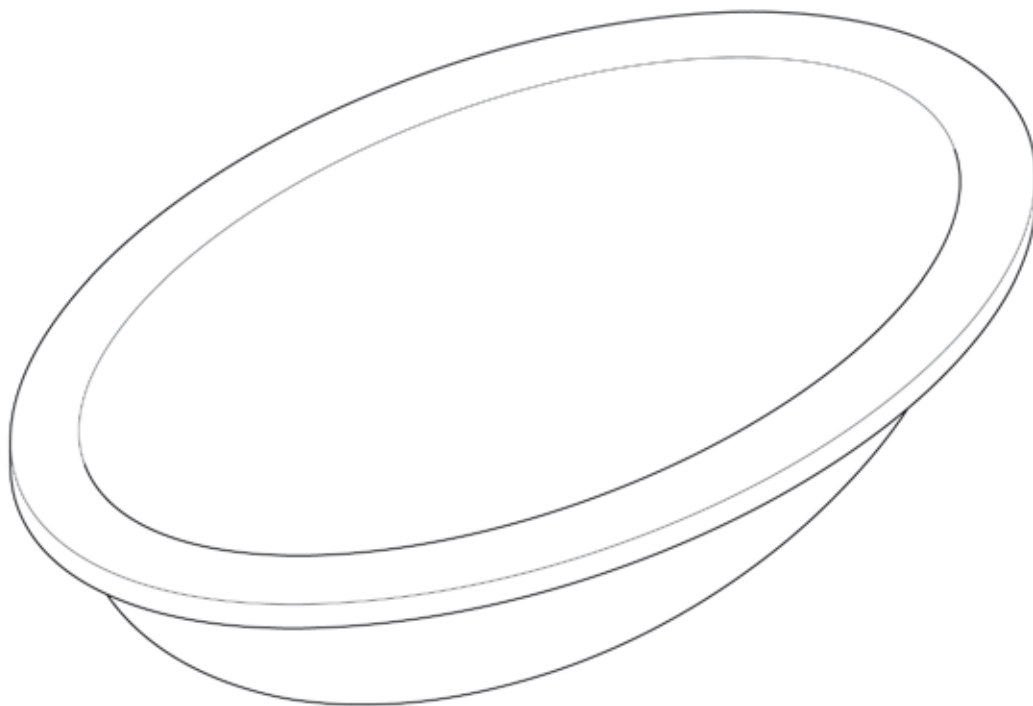


Villeroy & Boch Under-Counter Basin



DE Montageanleitung

EN Installation instructions

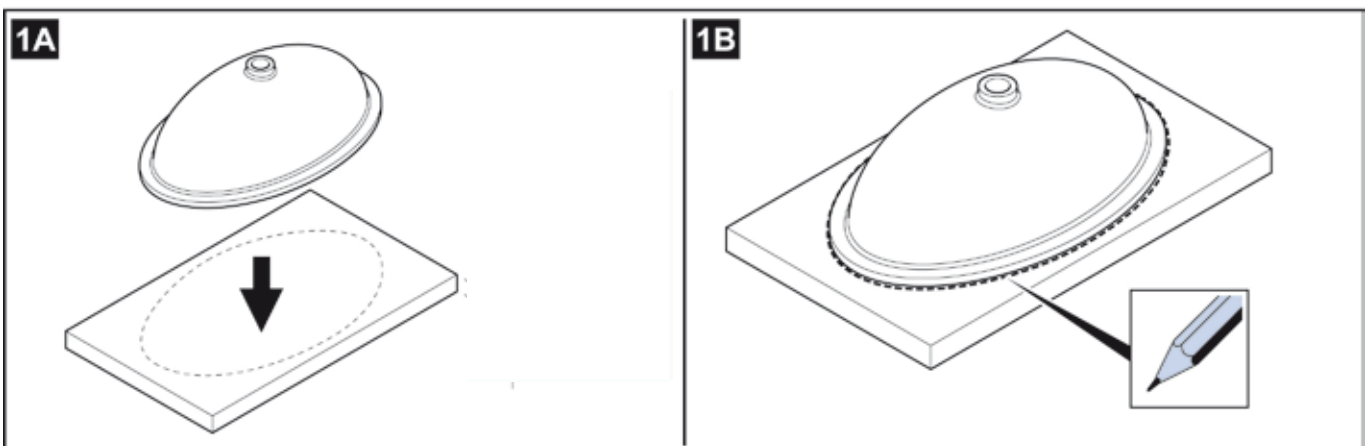
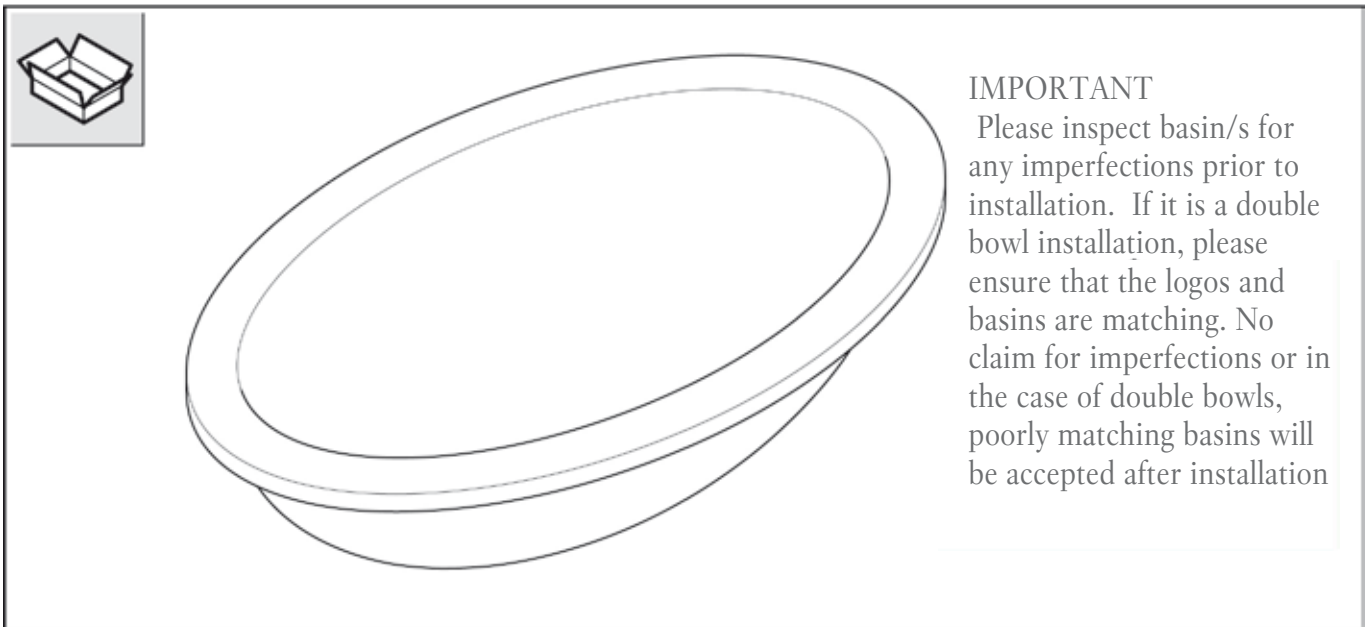
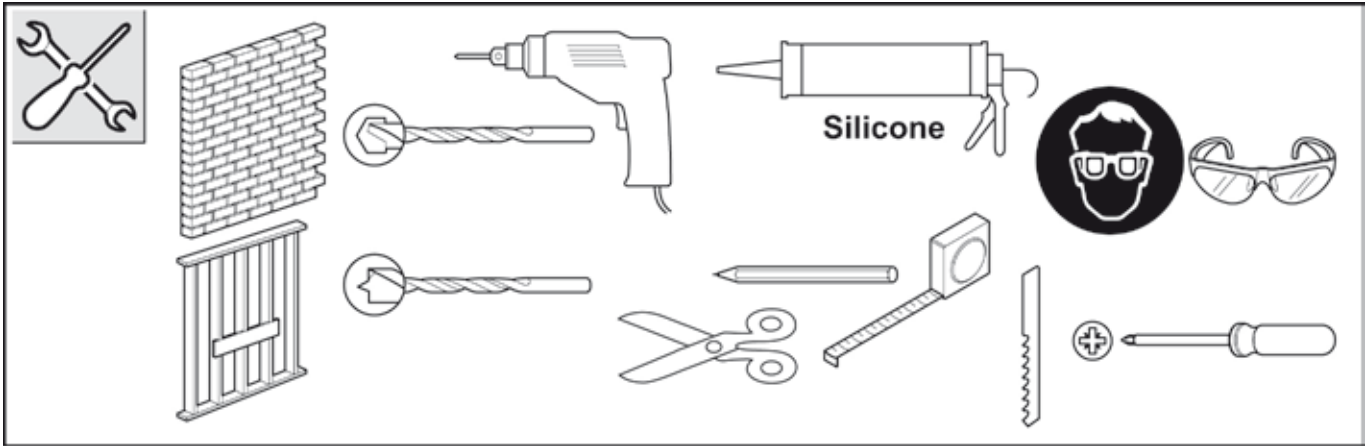
IMPORTANT

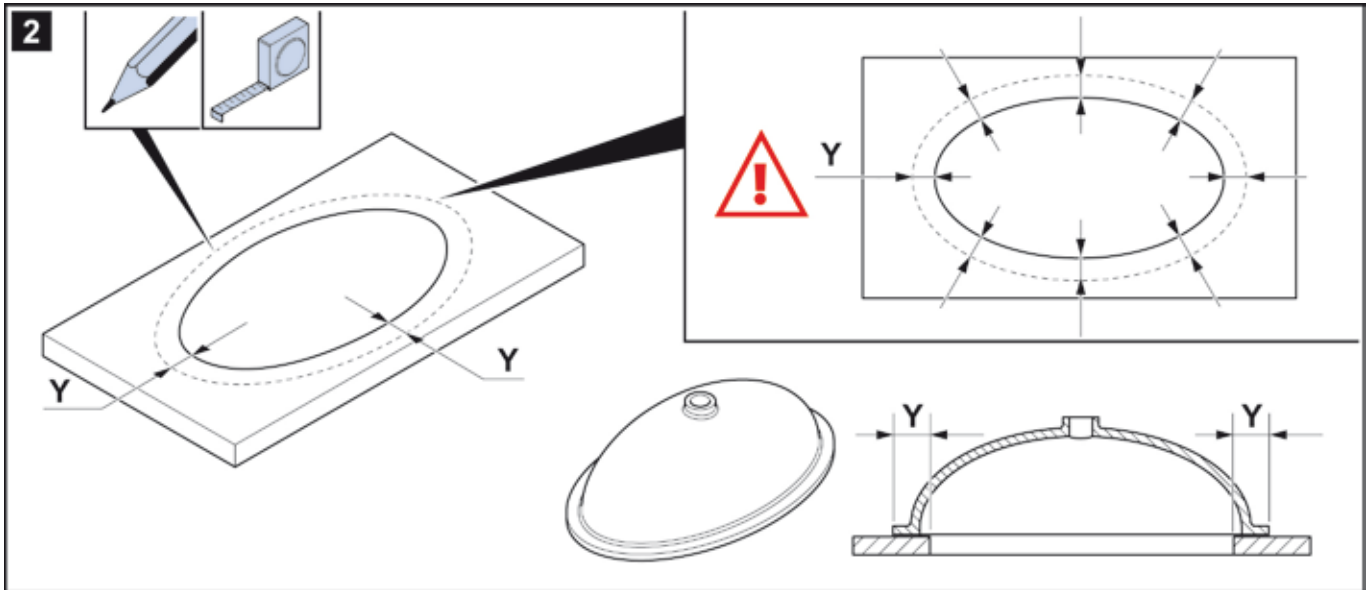
- 1) No Cut out should be attempted without having the basin/s on hand.
- 2) The logo should be positioned to the rear of the vanity.
- 3) Use of epoxy resins will void the basin warranty - bathroom grade silicon should be used to adhere the basin to the stone top.



Villeroy & Boch

1748

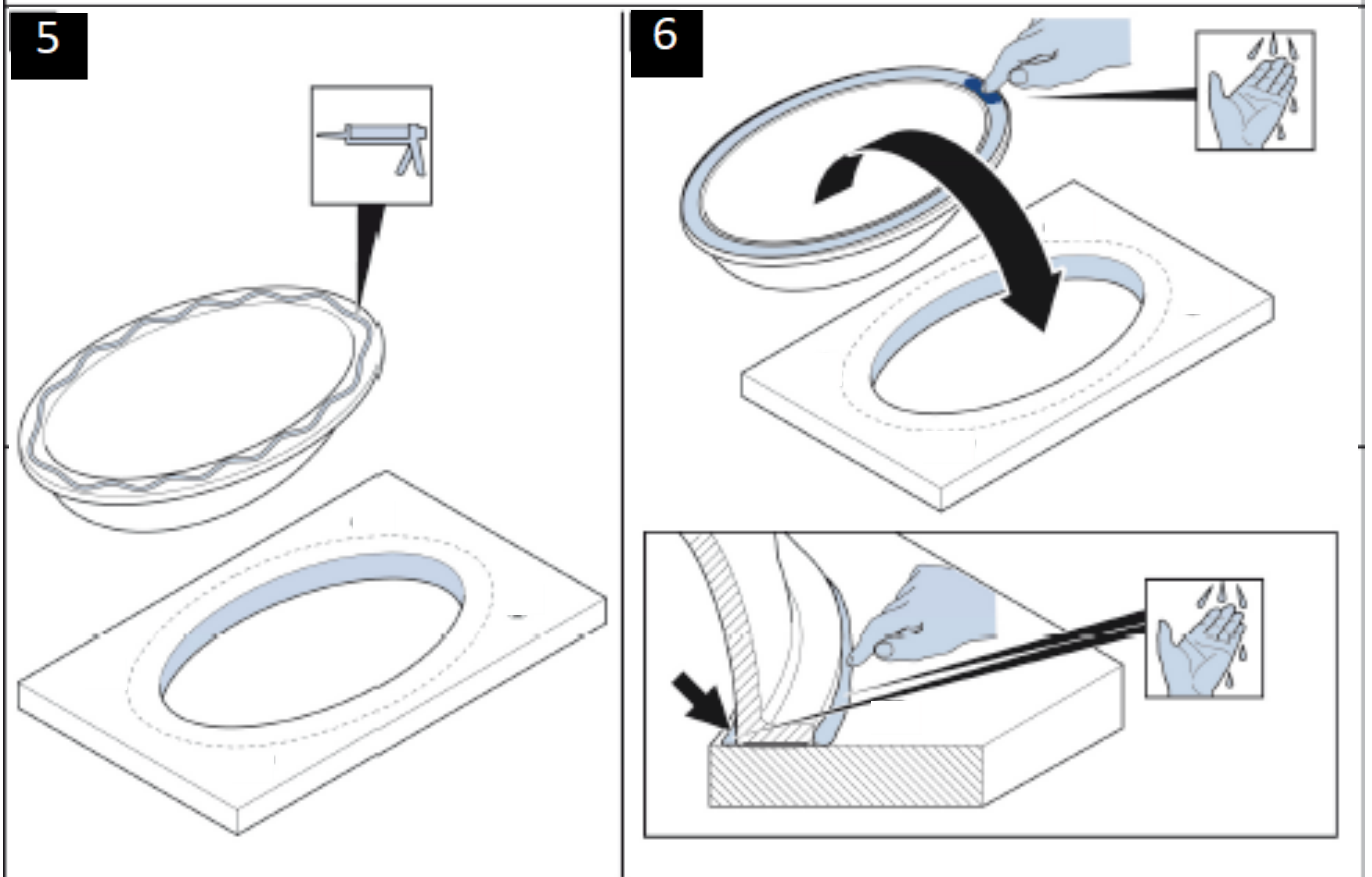
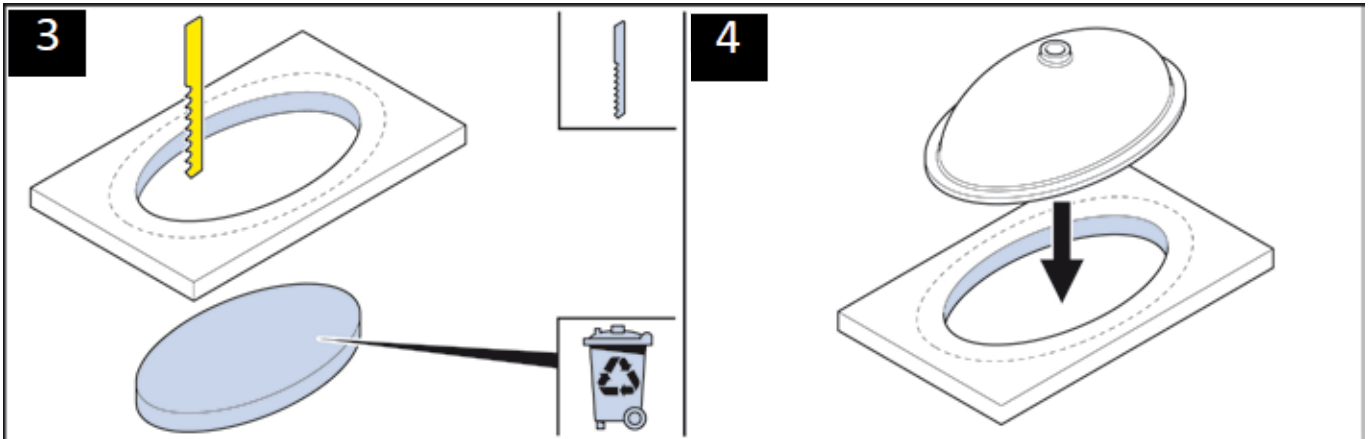




	Y				
	36	40	43	48	55
Evana Loop & Friends	4A5100	4A5700	4A5200	4A5400	4A5500
	4A5101	4A5701	4A5201	4A5401	4A5501
	4A5600	4A5800	4A5300		
	4A5601	4A5801	4A5301		

	Y							
	35	36	40	43	45	48	50	55
Evana Loop & Friends	516360	616101	614400	616110	518030	516150	516240	516160
	516361	616210	614700	616111	518031	516151	516241	516161
	516350	616211	614746	616220		616120	616230	616130
	516351	616310	614738	616221		616121	518040	616131
		616311	616100	618038			518041	
		618033	616300	618138			618043	
		618133	616301				618143	
		618028	4616320					
		618128	616321					

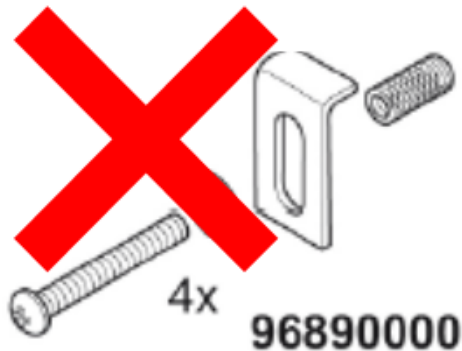
WHERE 'Y' IS NOT SHOWN, MEASURE THE GROUND LIP OF THE BASIN AND ADD 10MM



ALLOW SILICON TO SET FOR 24 HOURS BEFORE MOVING BASIN OR TOP

IMPORTANT

96890000 BRACKETS ARE ONLY SUITABLE FOR STONE TOPS 25MM OR THICKER, THEREFORE, SHOULD BE DISREGARDED FOR AUSTRALIAN STANDARD 20MM STONE TOP INSTALLATIONS.



Care and Maintenance

- With daily care, your Villeroy & Boch products will shine for many years to come.
- For the daily cleaning, we recommend using a soft, non-abrasive sponge or cloth. If you wish to use a cleaning agent, it is best to use a standard, general-purpose cleaning agent.
- You can use all standard cleaning agents.
- Villeroy & Boch products are resistant to all acids and alkalis typically used in the home (as well as cosmetic and medical products containing solvents, alcohol and acetone).
- Please do not use any aggressive cleaning agents that are harmful to the environment.
- As on all surfaces, Villeroy & Boch products will also be damaged by the regular use of scouring creams and powders, chemicals, special tap/metal cleaning agents or bleaching agents containing chlorine.

*Microfibre cloths are suitable for Villeroy & Boch ceramics.

- Tip: Dampen microfibre cloths before use.

VILLEROY & BOCH

GERMANY

*Villeroy & Boch AG
Bathroom and Wellness Division
Headquarters
66693 Mettlach
Germany*

Tel: +49 (0) 68 64 / 81 0

Fax: +49 (0) 68 64 / 81 1484

VILLEROY & BOCH

AUSTRALIA

*Argent Australia Pty Ltd
Level 1, 22 Arthur Street
FORTITUDE VALLEY QLD 4006
Australia*

Customer Central: +61 1300 364 748

Technical Hotline: +61 1800 356 717

Email: support@customer-central.com.au

Homepage: <https://www.argentaust.com.au/>