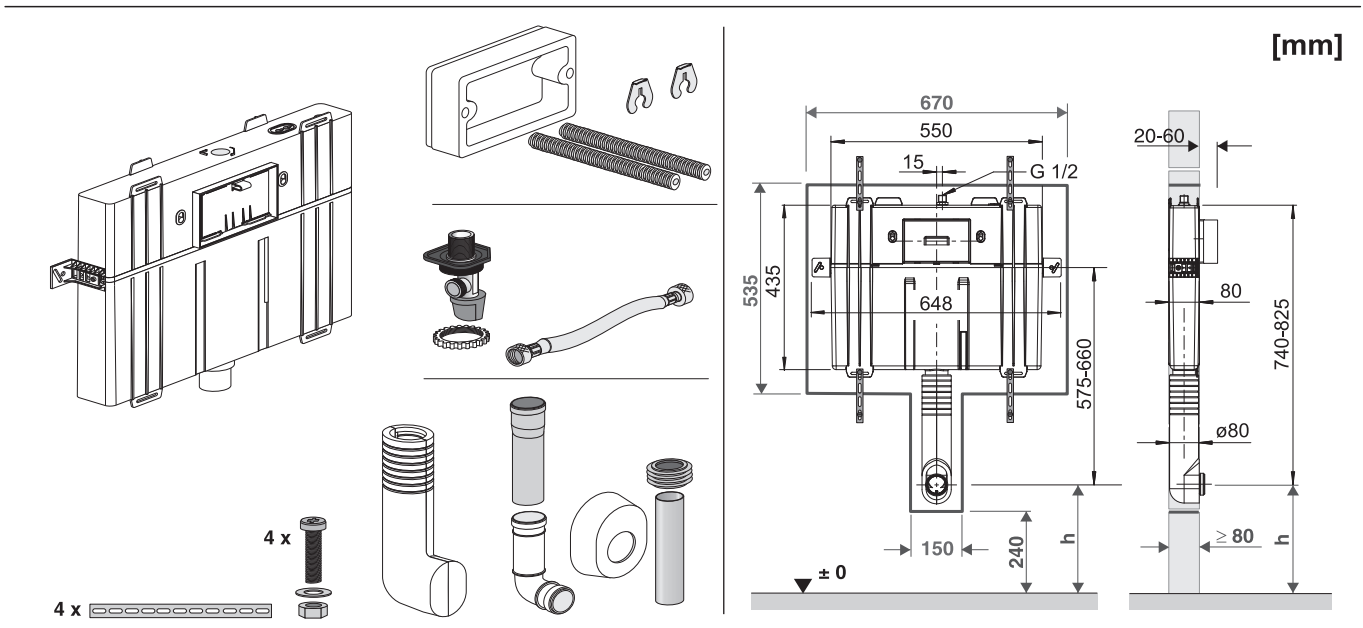


Installation instructions for 92233300- 80mm Cistern



1. INSPECT ALL PARTS PRIOR TO INSTALLATION FOR SUITABILITY AND/ OR DEFECTS
2. ANY SUSPECTED DEFECT SHOULD BE REPORTED AS SOON AS POSSIBLE
3. SHOULD ANY PRODUCT BE INSTALLED DESPITE A FAULT HAVING BEEN FOUND AND REPORTED, IT WILL NOT BE ACCEPTED LIABILITY FOR THE COST OF LABOUR TO REMOVE AND INSTALL ANY REPLACEMENT PRODUCT/S



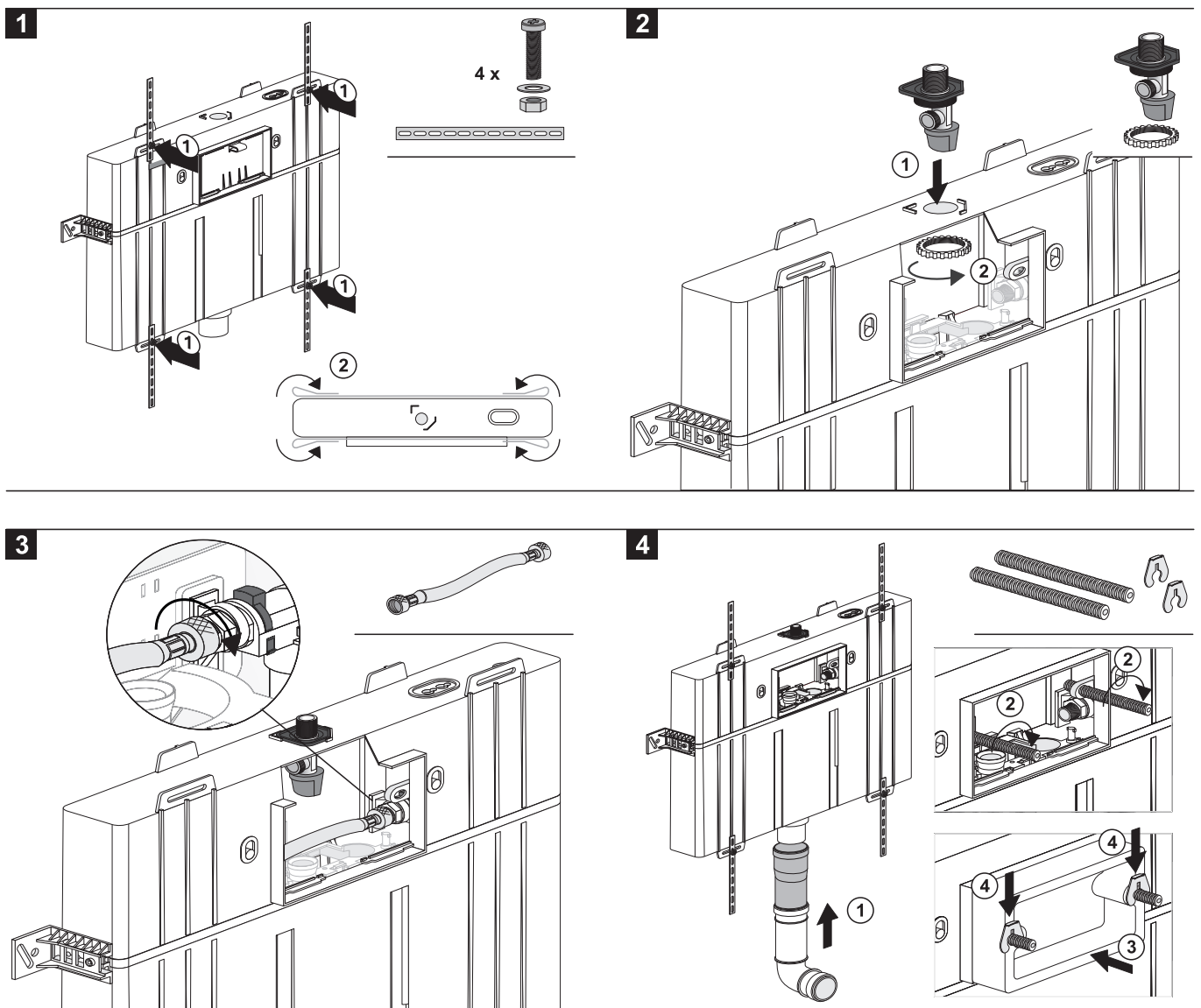
INWALL CISTERN CARE AND INSTALLATION GUIDE

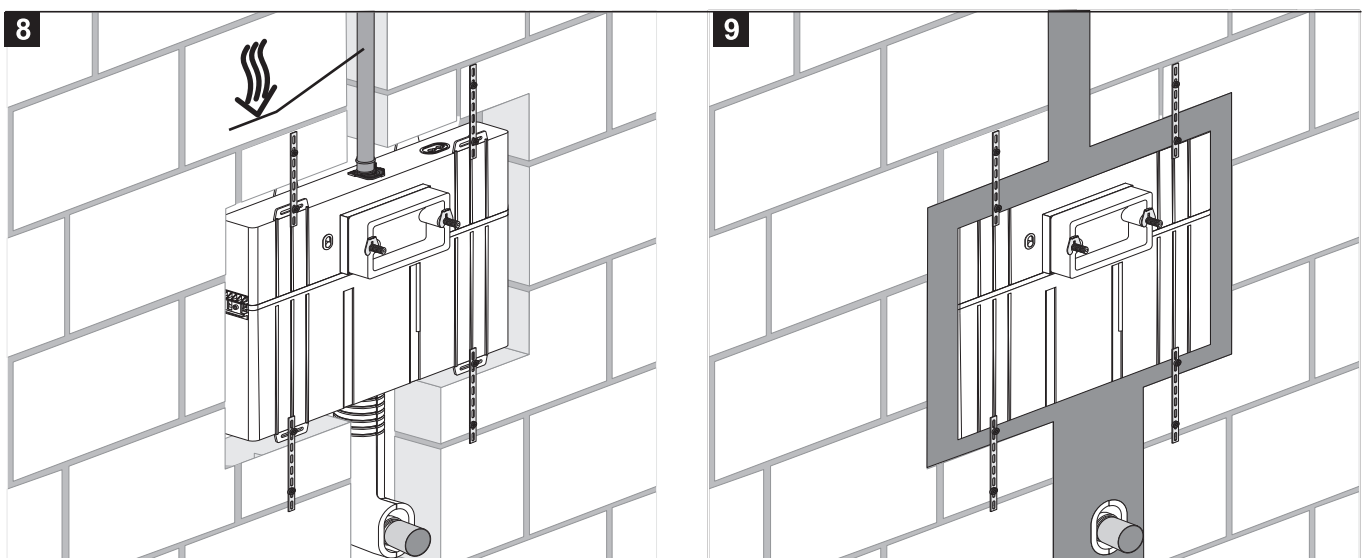
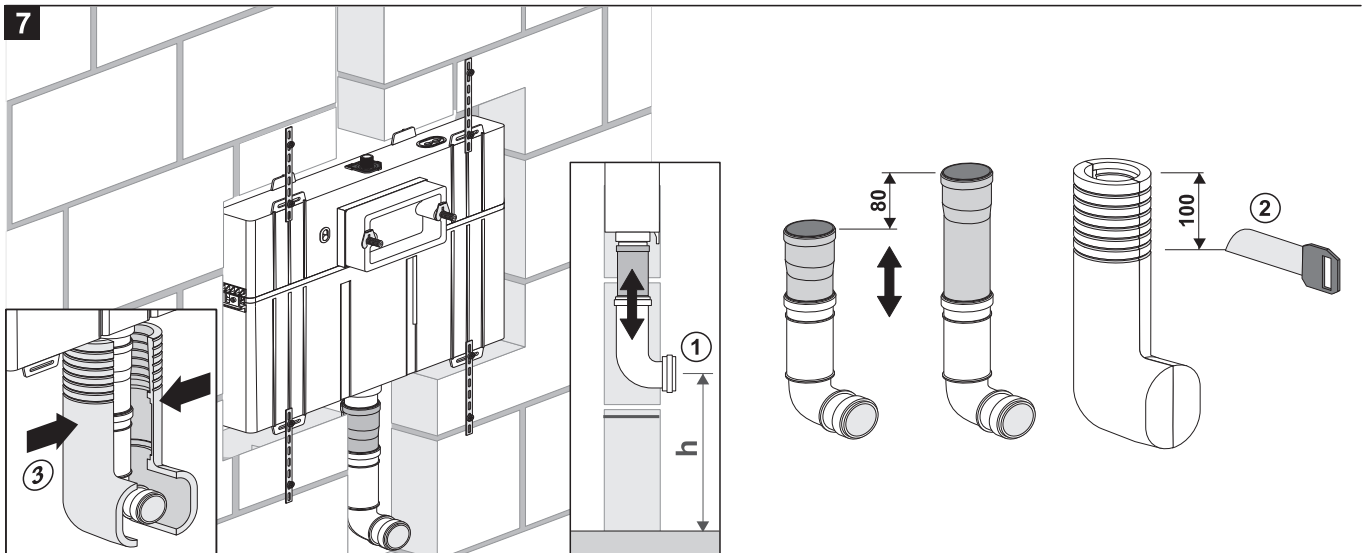
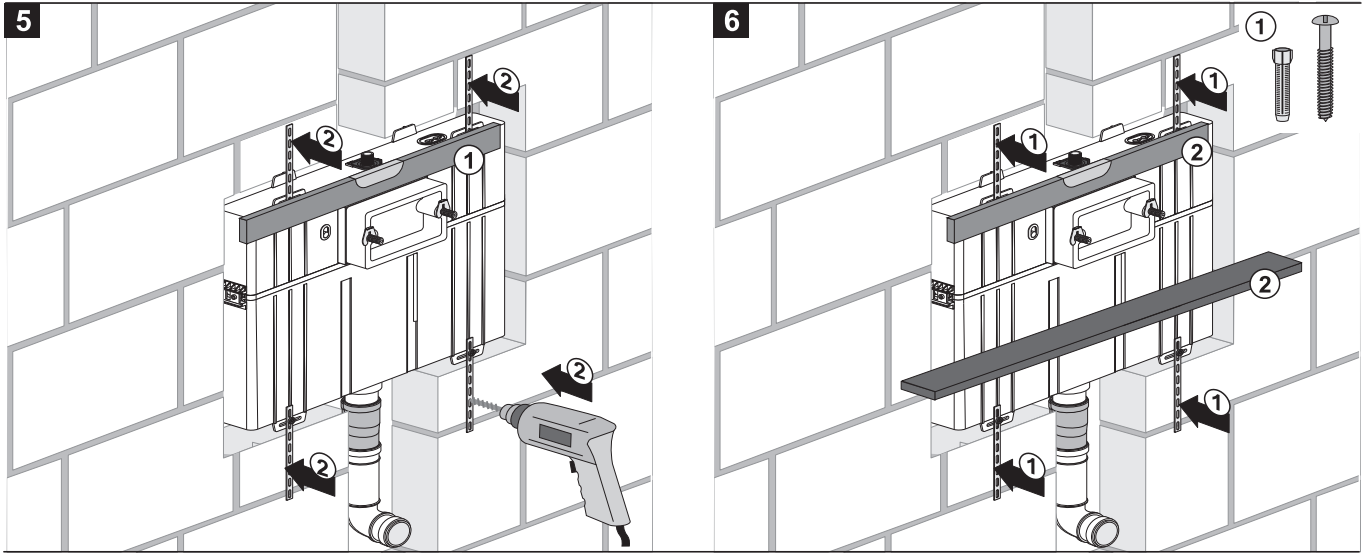
Installation requirements and Warranty conditions

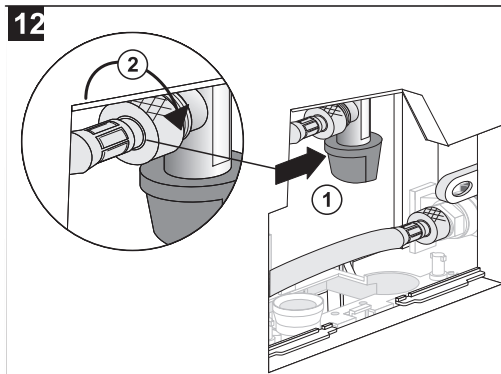
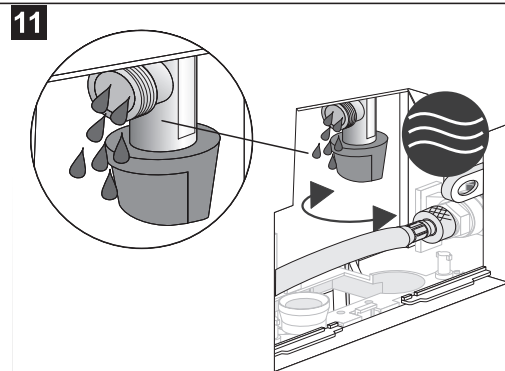
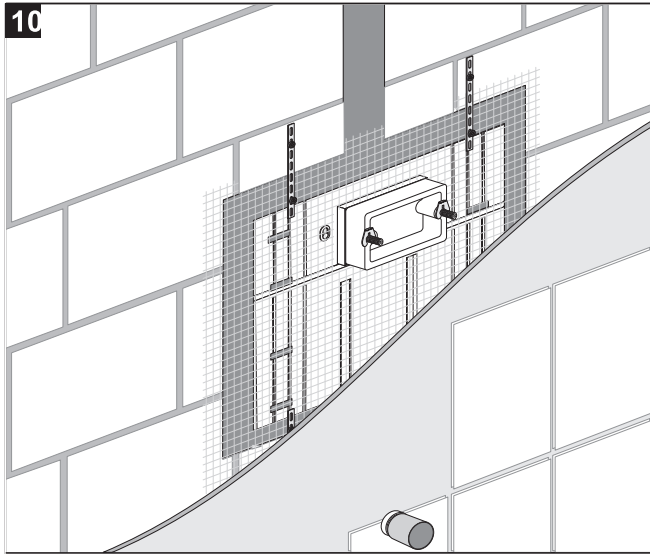
1. The product must be installed by a qualified person in a manner prescribed by local & statutory regulations and to the manufacturer's specifications.
2. Inlet valve WATER PRESSURE and pipe sizing must comply with AS3500-4 & Manufacturers specifications.
 - I. Maximum 500kpa static.
 - II. Minimum 100kpa dynamic.
 - III. Not suitable for low pressure systems
3. Warranty is only valid if products are installed and operated in accordance with the manufacturers instructions.
4. Documents of purchase and or installer compliance certificates need to be produced to validate the product is within the manufacturers warranty period.
5. Argent Australia Pty Ltd is the authorised distributor and warranty agent for these products.
6. Argent Australia Pty Ltd must be contacted to authorise any service within the warranty period.

Important notes

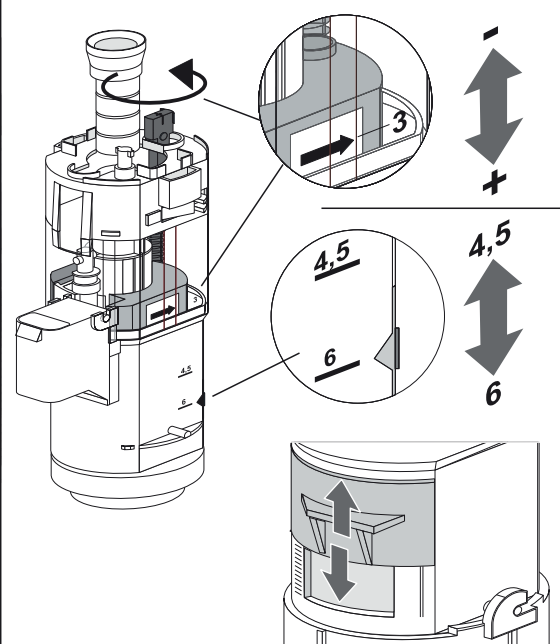
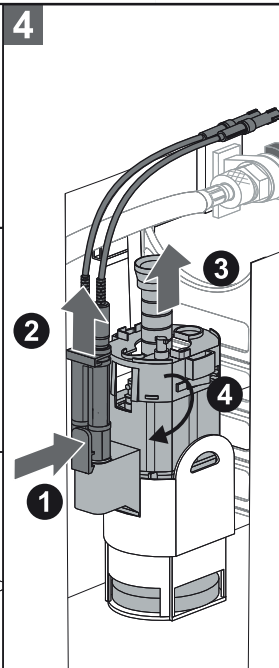
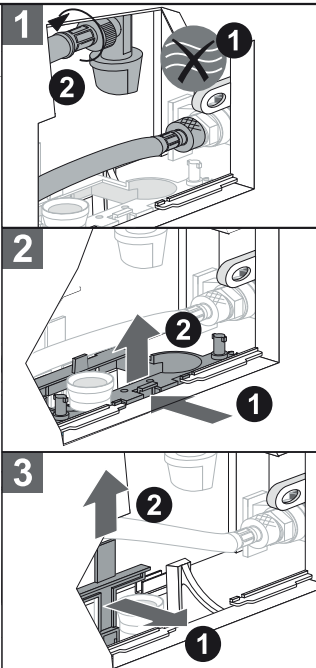
- WELS and Watermark regulations are applicable to all WC toilets and flushing systems sold in the Australian market.
- All Villeroy & Boch In-wall cisterns are supplied with kee-seal and flush pipe to connect to wall hung and or Wall-Faced pans.
- A large range of flush plates are available to suit the Villeroy & Boch In-Wall cisterns.

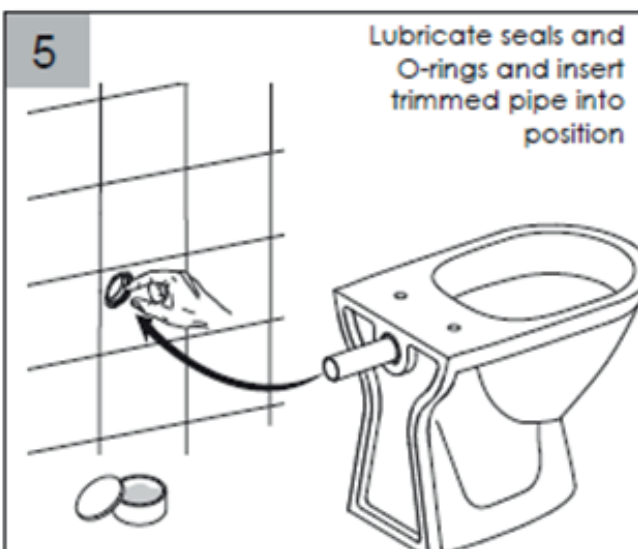
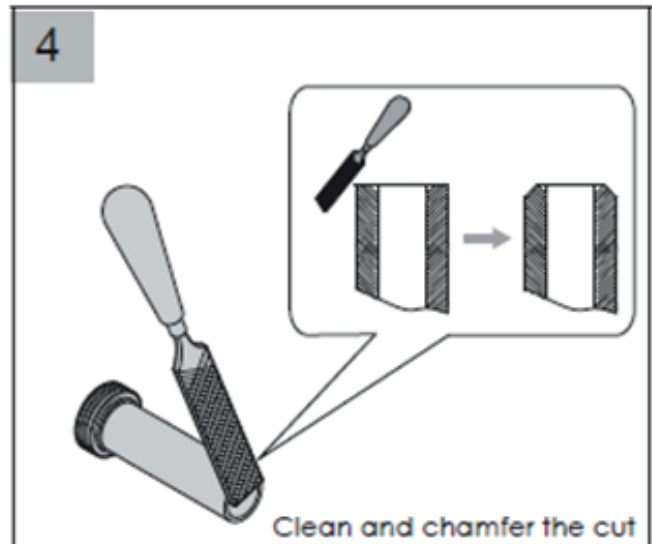
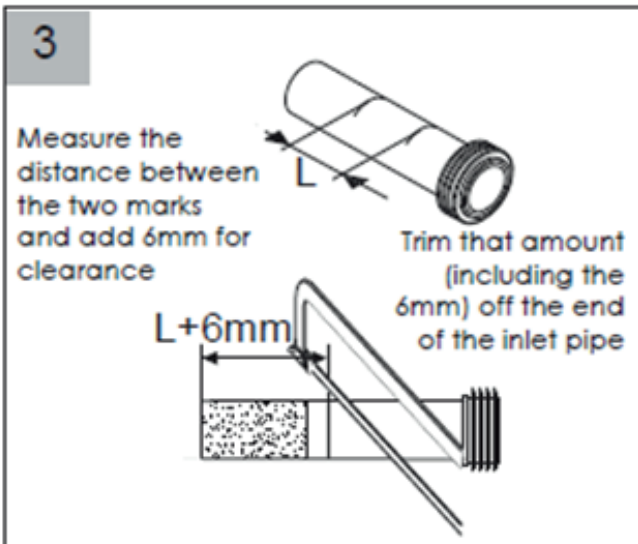
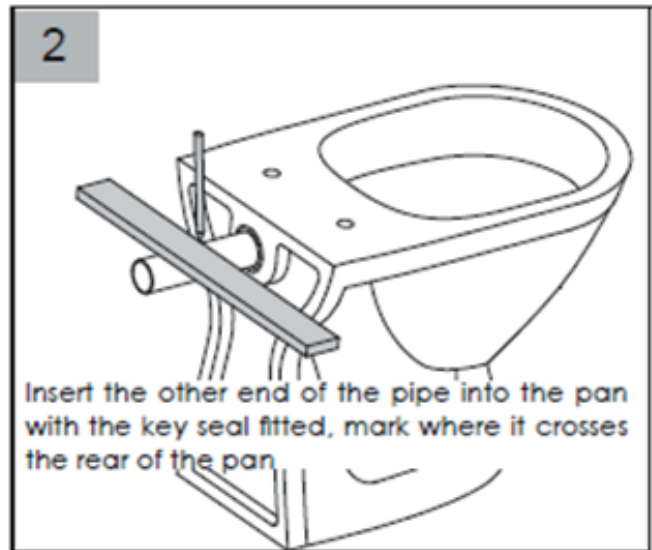
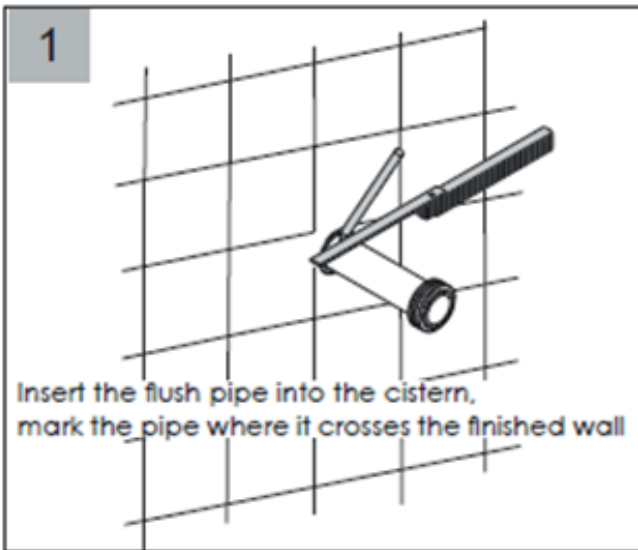






Service





- Install toilet seat as per the manufacturers installation instruction included in the carton

Care and Maintenance

With daily care, your Villeroy & Boch products will shine for many years to come.

For the daily cleaning, we recommend using a soft, non-abrasive sponge or cloth. If you wish to use a cleaning agent, it is best to use a standard, general-purpose cleaning agent.

You can use all standard cleaning agents.

Villeroy & Boch products are resistant to all acids and alkalis typically used in the home (as well as cosmetic and medical products containing solvents, alcohol and acetone).

Please do not use any aggressive cleaning agents that are harmful to the environment.

As on all surfaces, Villeroy & Boch products will also be damaged by the regular use of scouring creams and powders, highly concentrated drain cleaning chemicals, special tap/metal cleaning agents or bleaching agents containing chlorine.

Microfibre cloths are suitable for Villeroy & Boch ceramics.

Tip: Dampen microfibre cloths before use.

Spare Part Breakdown:

| | | |
|----|--|------------|
| 1 | ViConnect fill valve | 8L32 70 00 |
| 2 | ViConnect flush valve | 8L11 34 00 |
| 2A | ViConnect cable box | 9224 95 00 |
| 2B | ViConnect sealing ring | 9221 07 00 |
| 3 | ViConnect flexible hose watermark | 9223 41 00 |
| 4 | ViConnect Positioning device | 9223 46 00 |
| 5 | ViConnect Protection box | 9221 01 00 |
| 6 | ViConnect Set of seals | 9224 89 00 |
| 7 | ViConnect WC fastenings M12 | 9221 04 00 |
| 8 | ViConnect WC connection set, white | 9221 02 01 |
| 9 | ViConnect adjustable flush pipe with cladding | 9221 03 00 |
| 10 | ViConnect clip | 9223 08 00 |
| 11 | ViConnect Angle valve connection set R ½", watermark | 9223 39 00 |

