

Kitchen Mixer Installation Instructions



EN Installation instructions

Notes prior to installation

1. Inspect all parts prior to installation for suitability and/ or defects.
2. Any suspected defect should be reported as soon as possible.
3. Should any product be installed despite a fault having been found and reported, argent will not accept liability for the cost of labour to remove and install any replacement product/s.
4. This product complies with the requirement of Lead-Free standards as defined in the National Construction Code Volume 3 and is suitable for use as part of Lead-Free installation.

Notes for installation

1. Please ensure pipework is clear of debris by flushing lines prior to installation.
2. We recommend hot and cold water isolation stops are used - not included in supply.
3. Mixers that feature pull out hoses are fitted with non-return valves for backflow prevention.



Pressure and temperature requirements

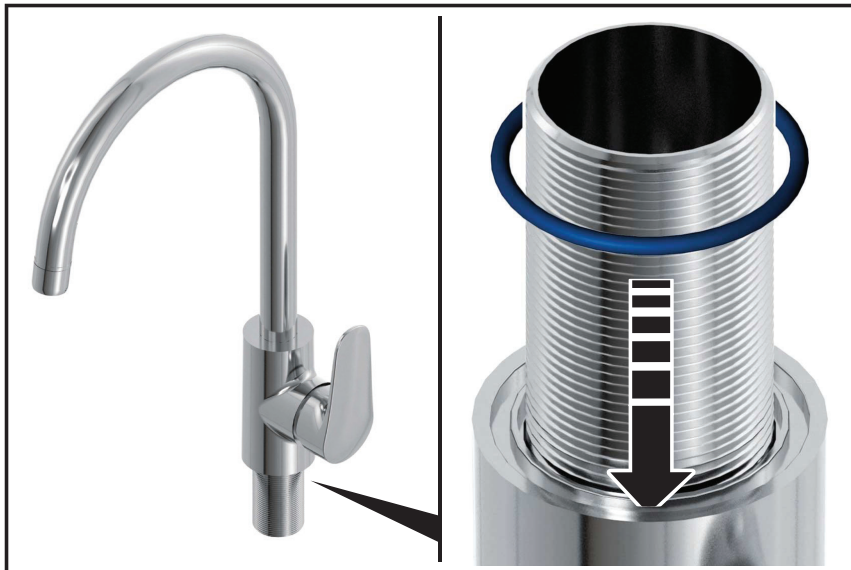
1. Inlet pressure range 100 - 500 kPa.
2. Maximum hot water temperature 60 °C.
3. AS/NZS 3500 requires 500 kPa maximum operating pressure at any outlet within a building.
4. Hot & Cold inlets should have equalised water pressures.

Notes to the installer

- Twisting or stretching the flexible hoses during installation may result in failure, and will void the warranty.
- Avoid severe bends in the flexible hoses as this may result in failure and will void the warranty.

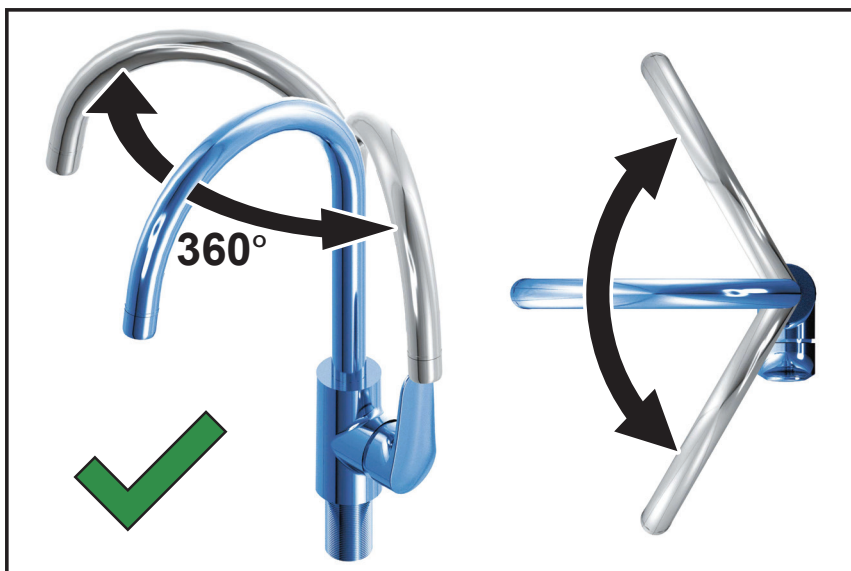
Cleaning and maintenance

- The special stainless steel surface only requires cleaning with mild household detergent and dry with a clean cotton cloth to retain its lustrous shine.
- Avoid cleaning with abrasive materials or cleaners.

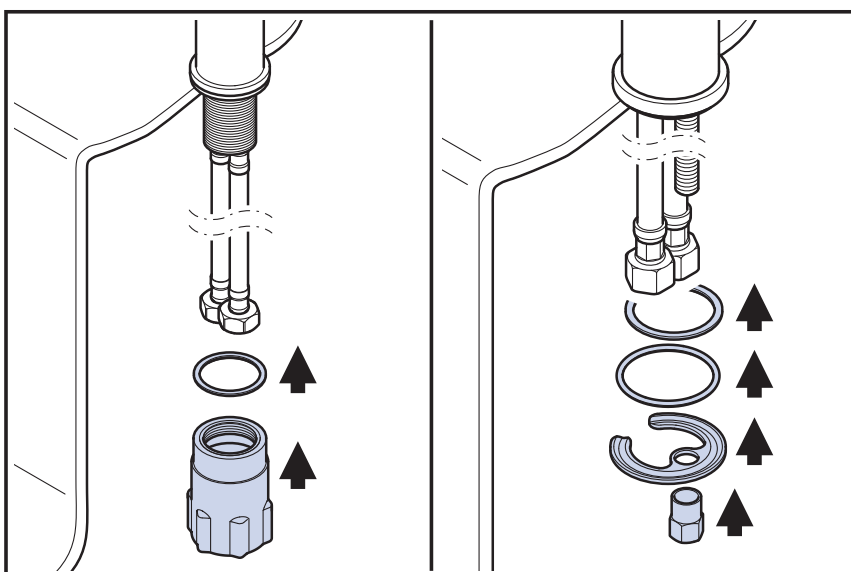


Ensure the rubber ring is placed between tap body and sink.

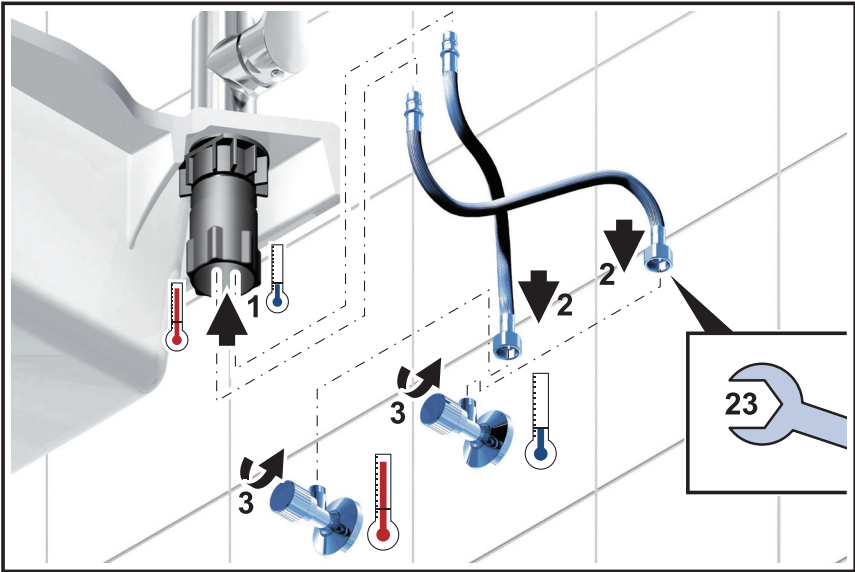
NB. Rubber ring may be supplied with base flange.



Place the mixer in the sink.

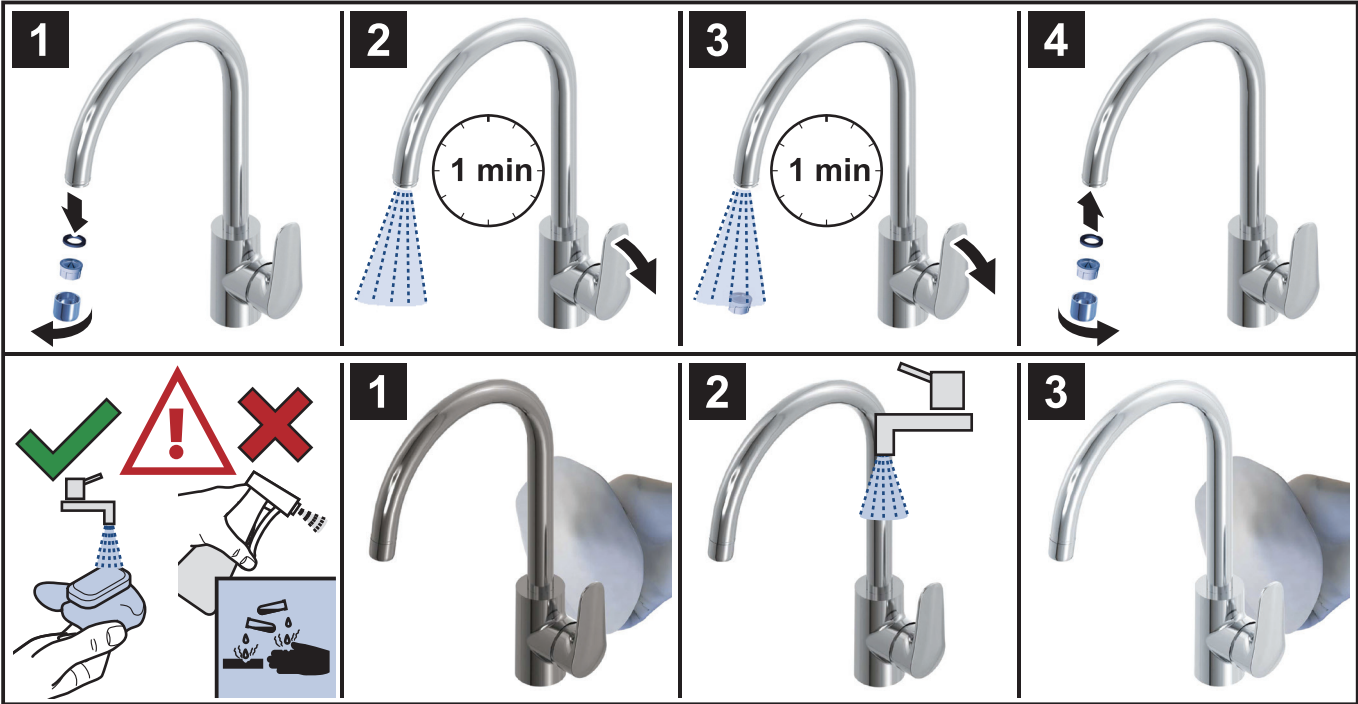


Fit the rubber gasket and fixing plate into position under the basin/bench, fasten with the supplied fixings.



Assemble the flexible hoses for hot and cold water supply to the connection pipes with red and blue marking.

Then connect the hoses to their respective water supplies. Open the stop valves (not included in supply), flush the lines, then close the mixer lever and check there are no leakages.





Argent Australia
L1/22 Arthur Street, Foritude Valley QLD 4006
1300 364 748
www.argentaust.com.au



Villeroy & Boch AG
Postfach 12 30-66689 Mettlach, Germany
Tel: +49 (0) 6864816000
www.villeroy-boch.com

Please Direct any feedback for this product to Customer Central:
support@customer-central.com.au or call 1300 364 748

The manufacturer reserves the right to make alterations without notice.
